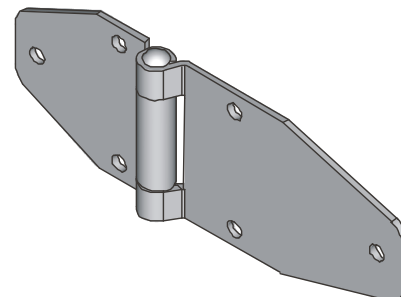
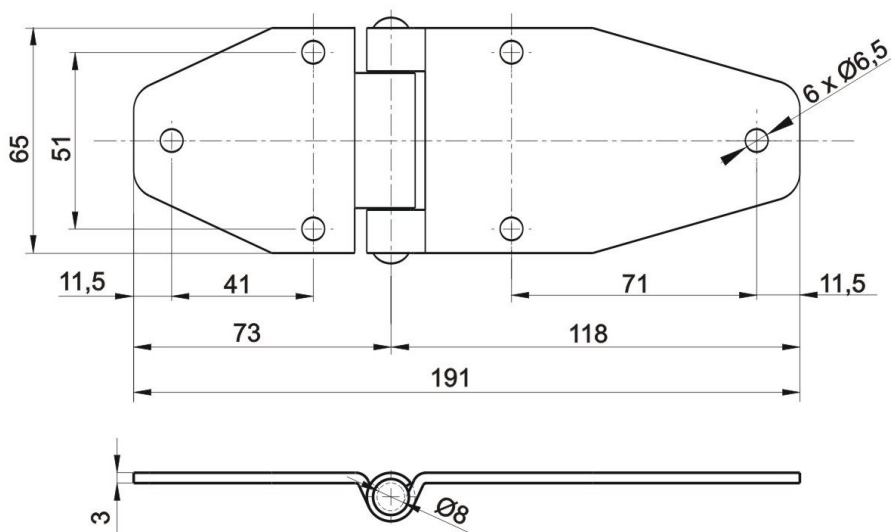
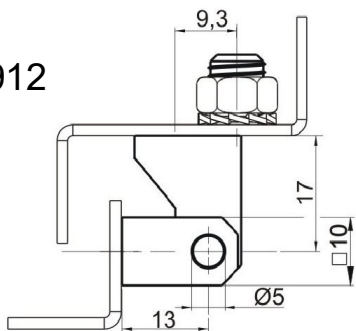


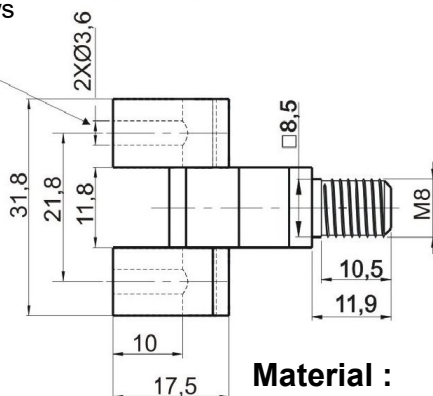
**RT56-1** Cat.No. 03.825

**Material :**  
steel , stainless steel

**Order example:**  
**Hinge RT56-1 03.825**

**RT66** Cat.No. 03.912

It is possible to use M4 screws  
DIN7516



**Material :**  
Hinge - alloy ZnAl, surface finish - powder coating RAL 9005  
Pin - steel - zinc plated , stainless steel

**Order example : Hinge RT66 03.912**

