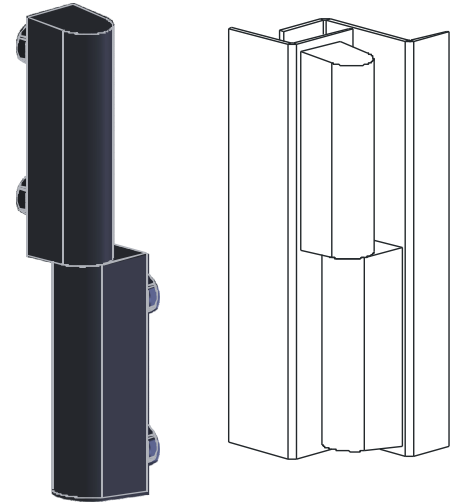
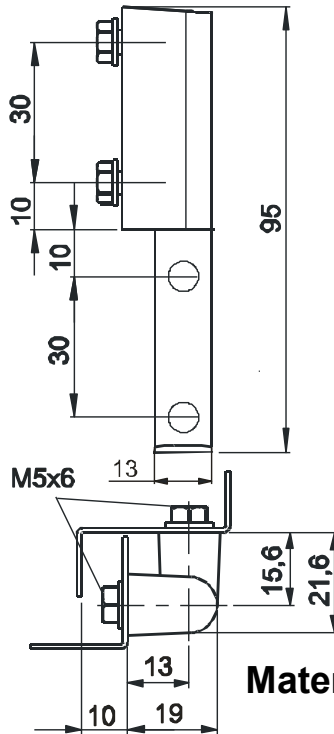
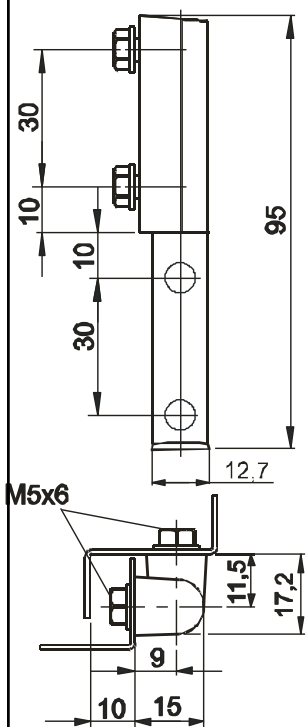


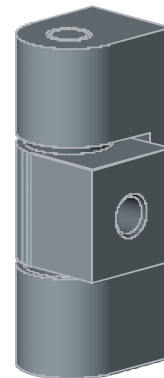
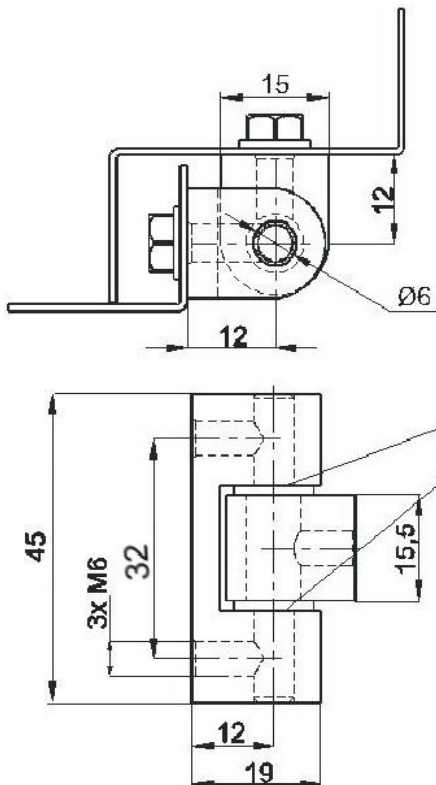
RT 59 Cat.No. 03.627 **RT 59-1** Cat.No. 03.628



Material : Polyamid PA6 , RAL 9005
pin : steel

Order example : Hinge RT59 - 03.627

RT60 Cat.No. 03.629



Material :
Body : -steel, galvanic. chrome-plated **03.629**
 -alloy ZnAl , chrome-plated **03.630**
pin : steel

Order example: Hinge RT60, steel
Hinge RT60 03.629