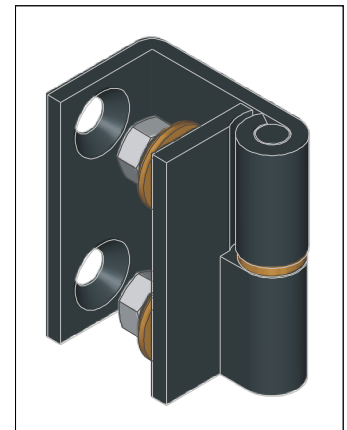
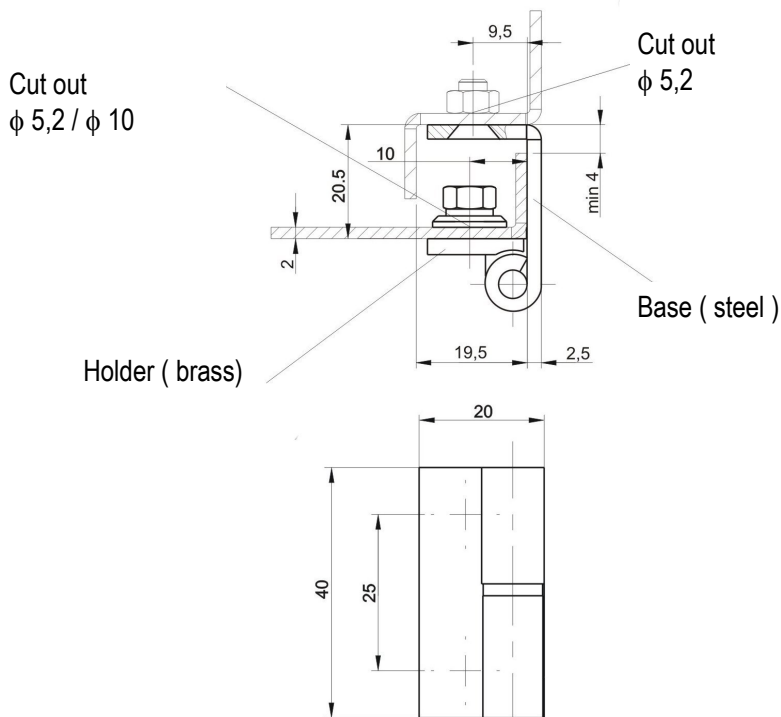
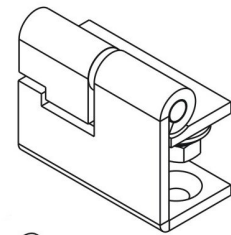


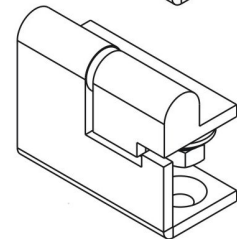
RT 43 Cat.No. 03.557



left



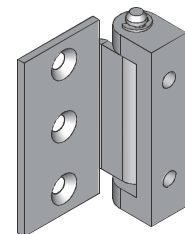
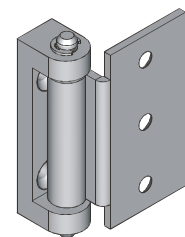
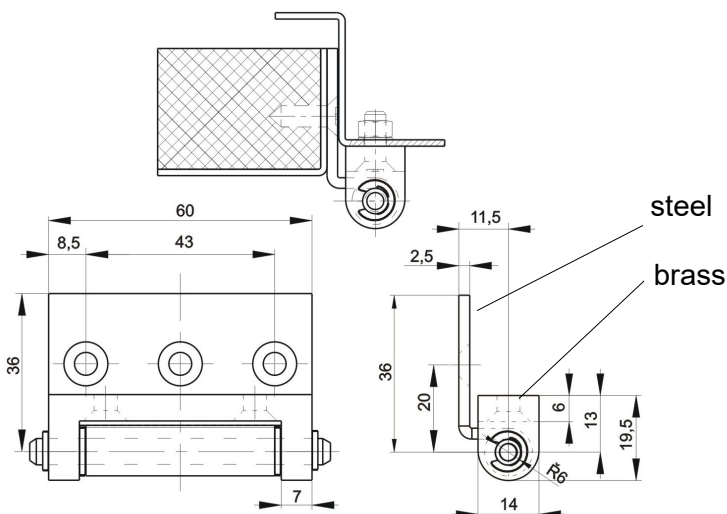
right



Material : steel, brass , surface finish - powder coating
RAL 7035, 7012, 9005

Order example of hinge RT43: **Hinge RT43 - 03.557**

RT 44 Cat.No. 03.547



Material : steel, brass , surface finish : steel - zinc plated, brass - powder coating

Order example of hinge RT44: **Hinge RT44 - 03.547**