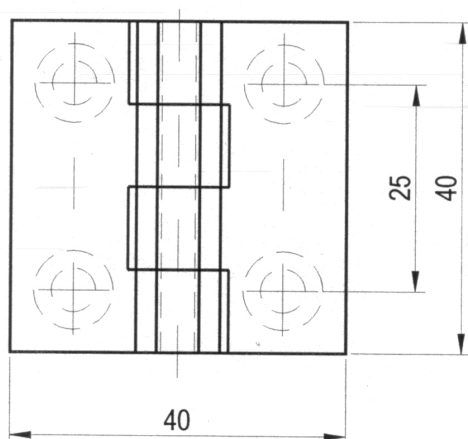
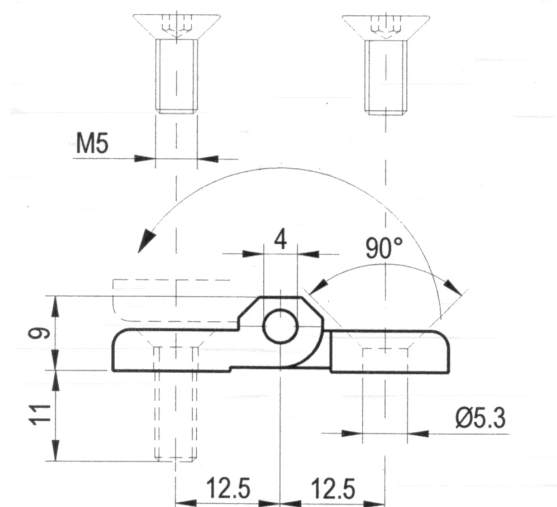
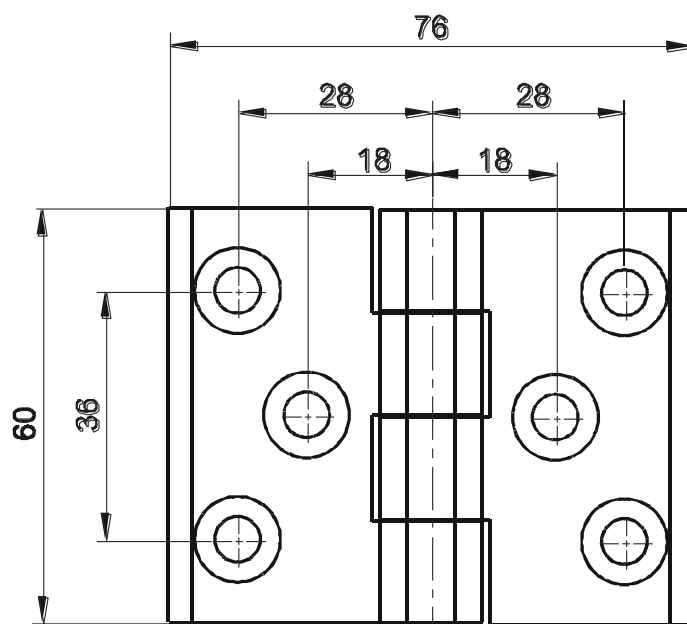
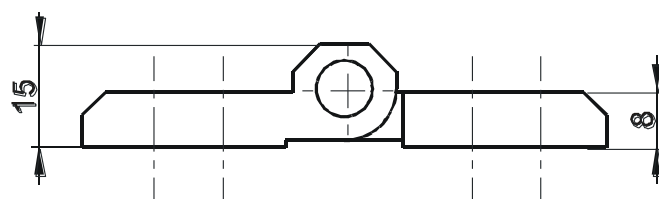
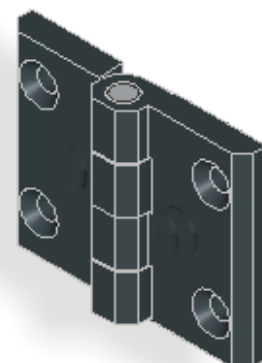
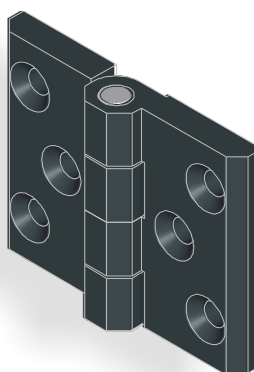
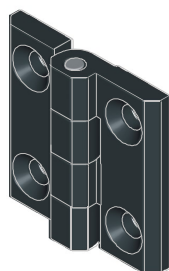


RT6 - Cat.No. 03.165



RT42 - Cat.No. 03.164

RT42
Cat.No. 03.164RT42-1
Cat.No. 03.558

Material : Hinge - Alloy ZnAl,
Powder coating (RAL 7035, 7012, 9005), chrome plating

Order example of lock RT6, powder coating (RAL 7035,) :
Hinge RT6 - 03.165/7035