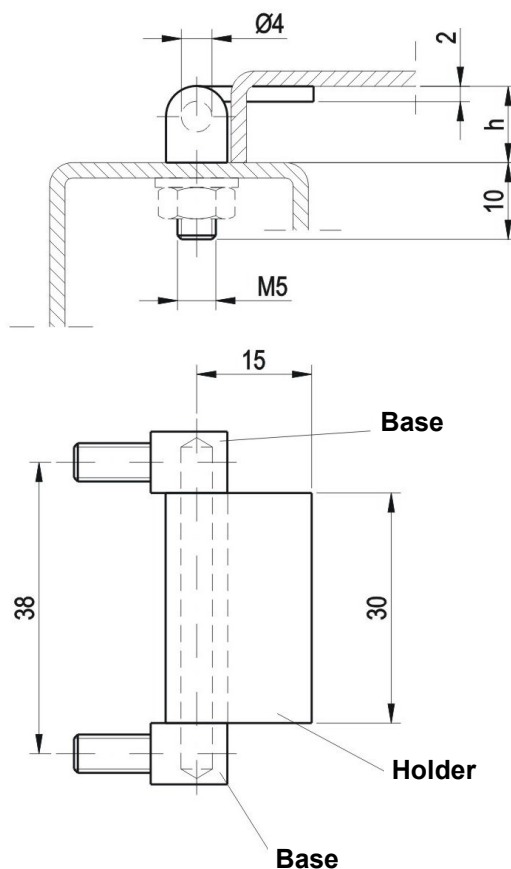


RT37
Cat.No. 03.304

H = 10 or 12 mm

Material : base - steel, zinc plated**Order example** of hinge 03.304 , H=10 :**Hinge RT37 - 03.304/10**