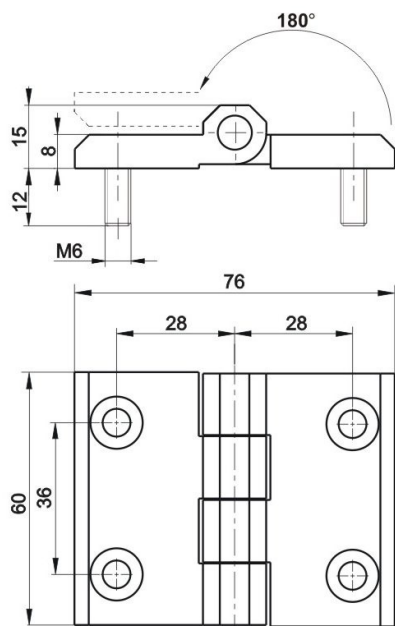
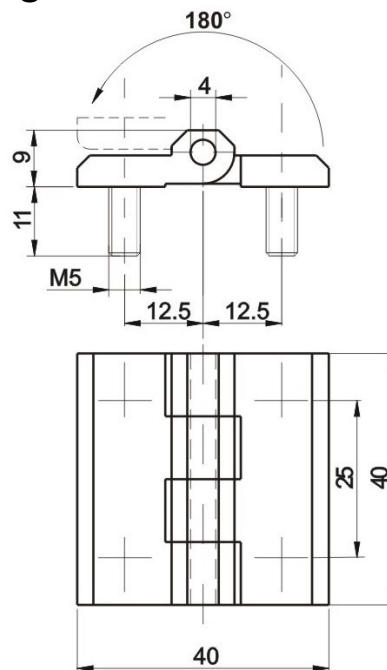


Hinge RT42-2 Cat.No. 03.562



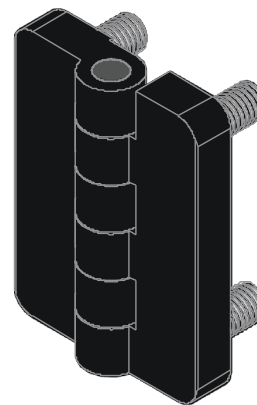
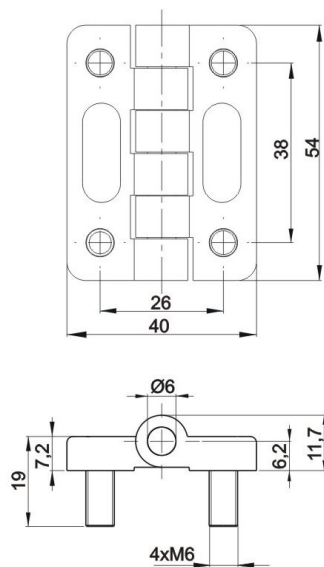
Hinge RT6-2 Cat.No. 03.564



Material : Hinge - Alloy ZnAl, painted, chrome plating
Powder coating (RAL 7035/gray; 9005/black)
Screw - stainless steel, brass

Hinge RT69

Cat.No. 03.563



Material : Hinge - Alloy ZnAl, painted
Powder coating (RAL 9005/black)
Pin - steel, zinc plated

Order example of lock RT42-2, powder coating (RAL 9005) :
Hinge RT42-2 - 03.562/9005