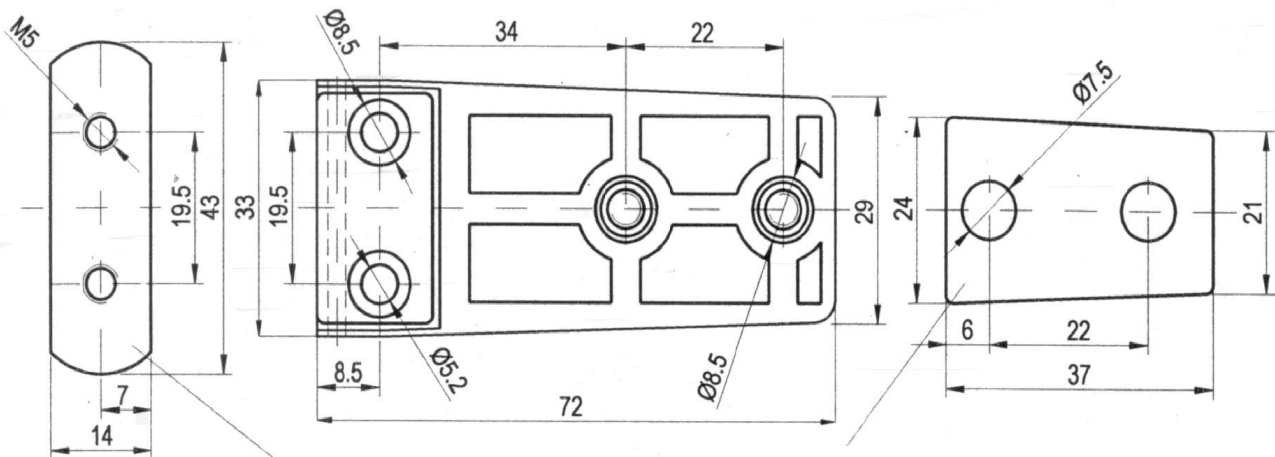
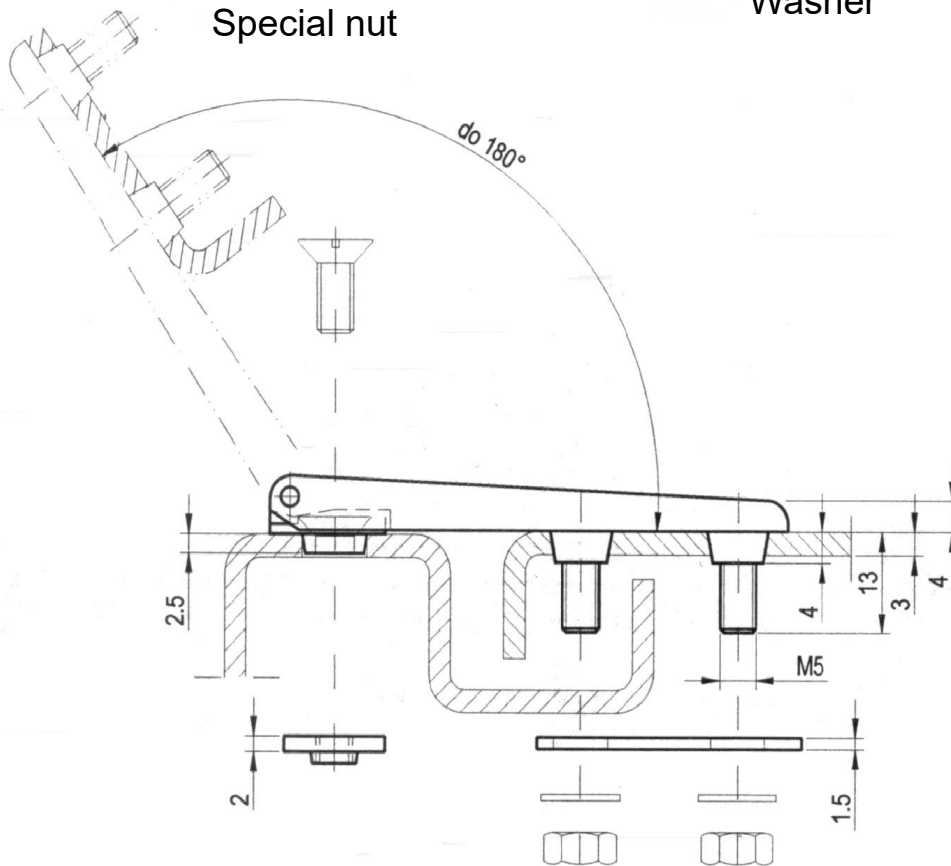


Cat.No. 03.162



Special nut

Washer



Material : Hinge - Alloy ZnAl,
Powder coating (RAL 7035/gray; 7012/gray - dark; 9005/black)

Washer, special nut - steel, zinc plated
Pin - steel, zinc plated

Order example : hinge RT3, powder coating (RAL 7012,)

Hinge RT3 - 03.162/7012