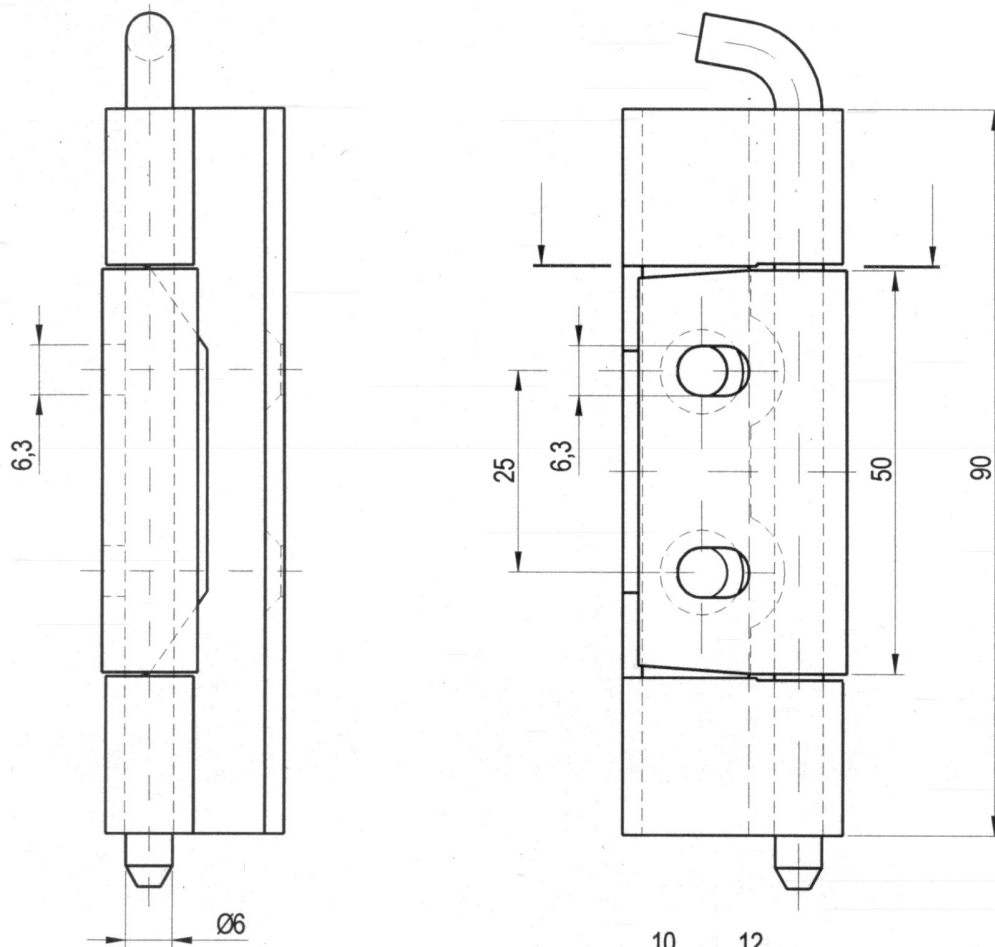


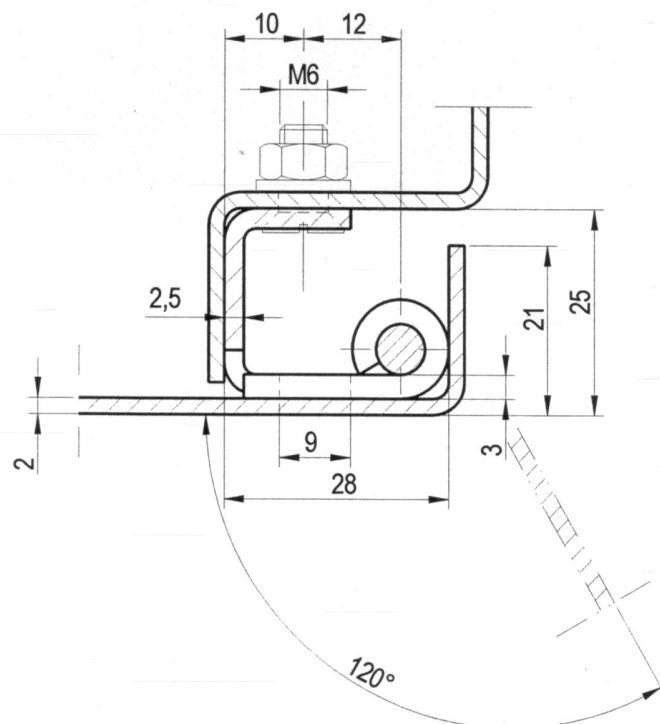
RT16 Cat.No. 03.180



RT16 - D

Cat.No. 03.207

The difference from RT16 is, that the middle part is steel tube $\phi 13$ (without surface finish)



Material : Steel , zinc plated

Order example : **Hinge RT16 - 03.180**