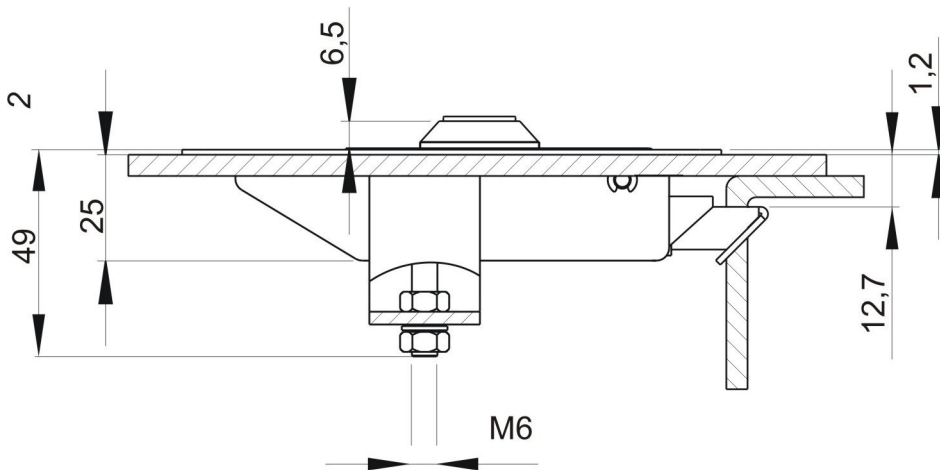
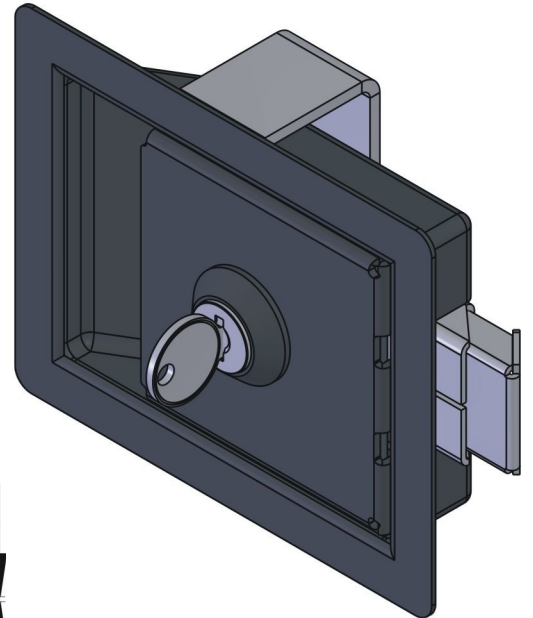
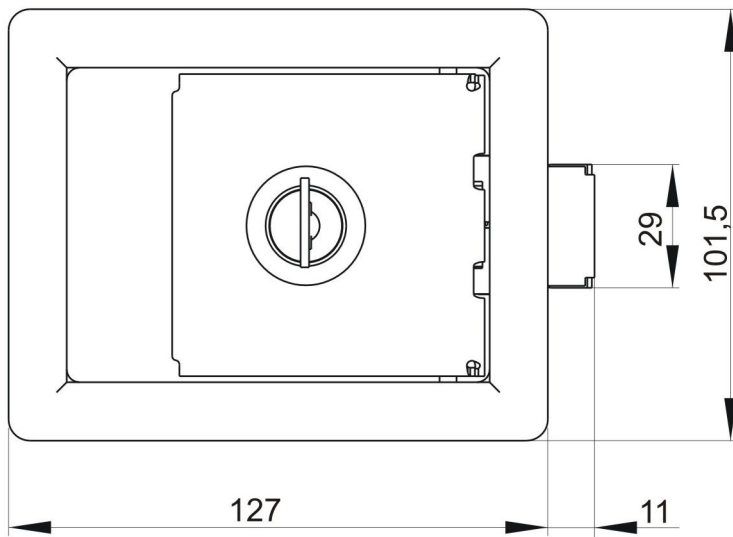
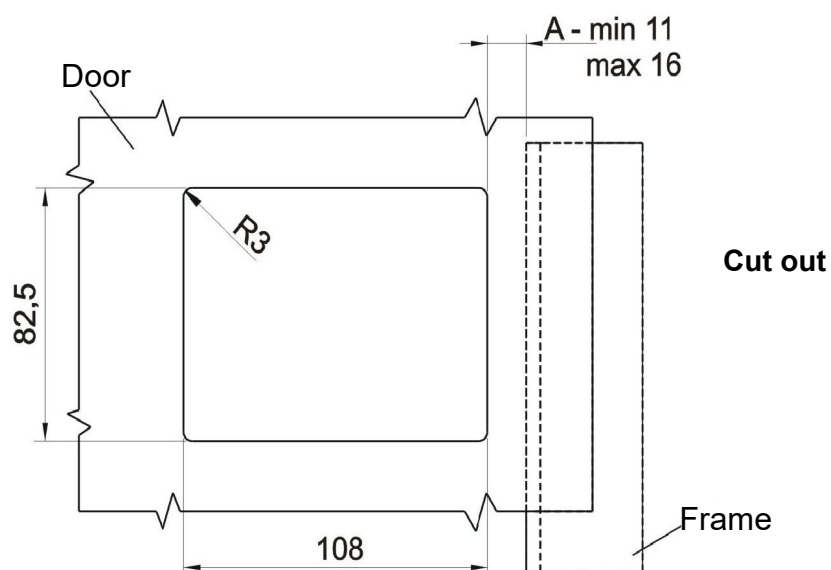


Cat.No. 03.455



Material :
steel - powder coating, RAL 9005



Order example : Lock ZT2 03.455