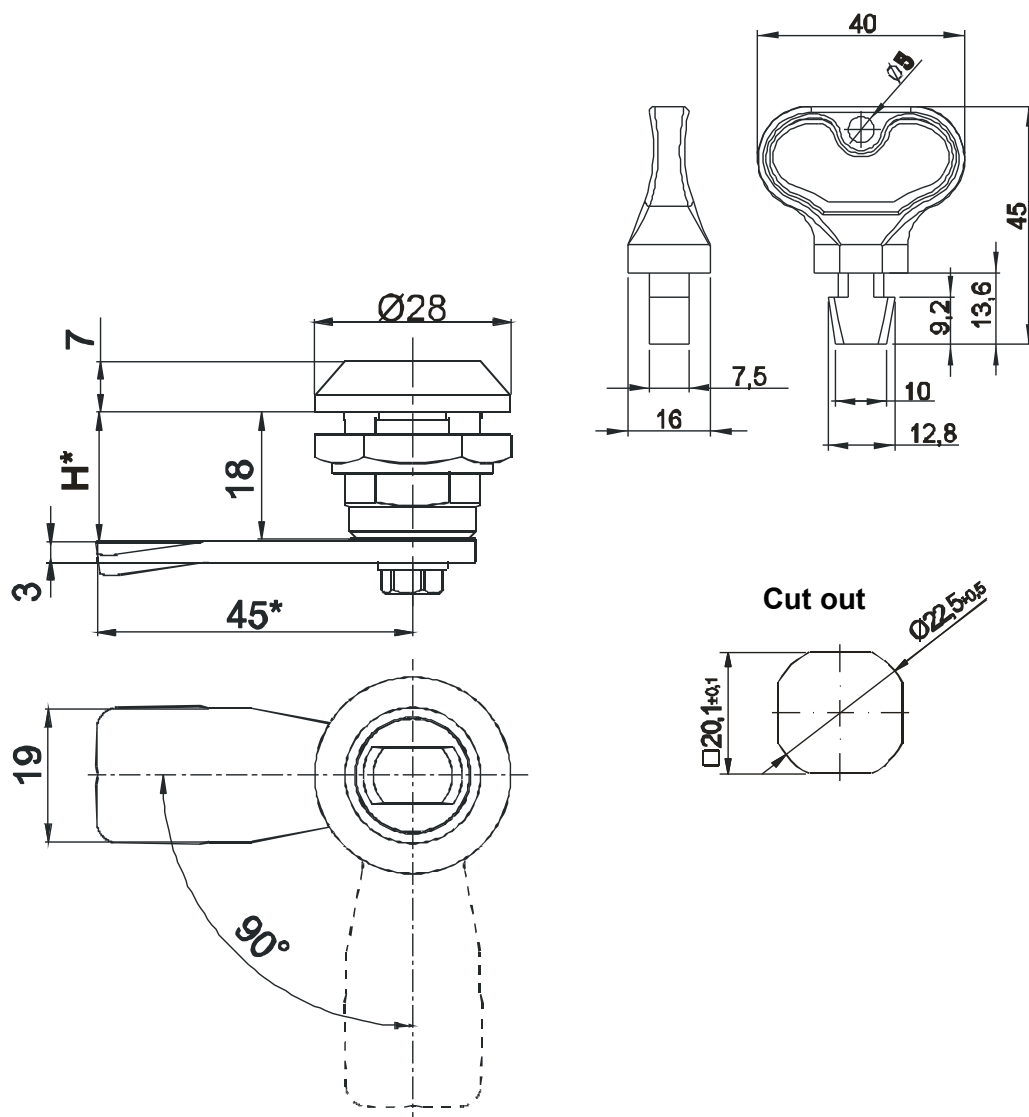
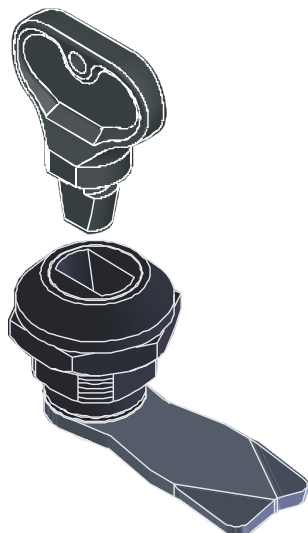


Lock D/GZ GZ Cat.No. 03.898.001

Key GZ Cat.No. 03.898.003

 $H^* = 18, 21, 24, 28$

* it is possible to agree another dimension

Material : Body - polyamid PA6, RAL 9005, 7035,8017
 Cam - steel, zinc plated, polyamid PA6
 Insert - Polyamid PA 6
 Key GZ - polyamid PA6

Order example of lock - H = 28, RAL 9005

Lock 03.898.001 - 28 - 9005