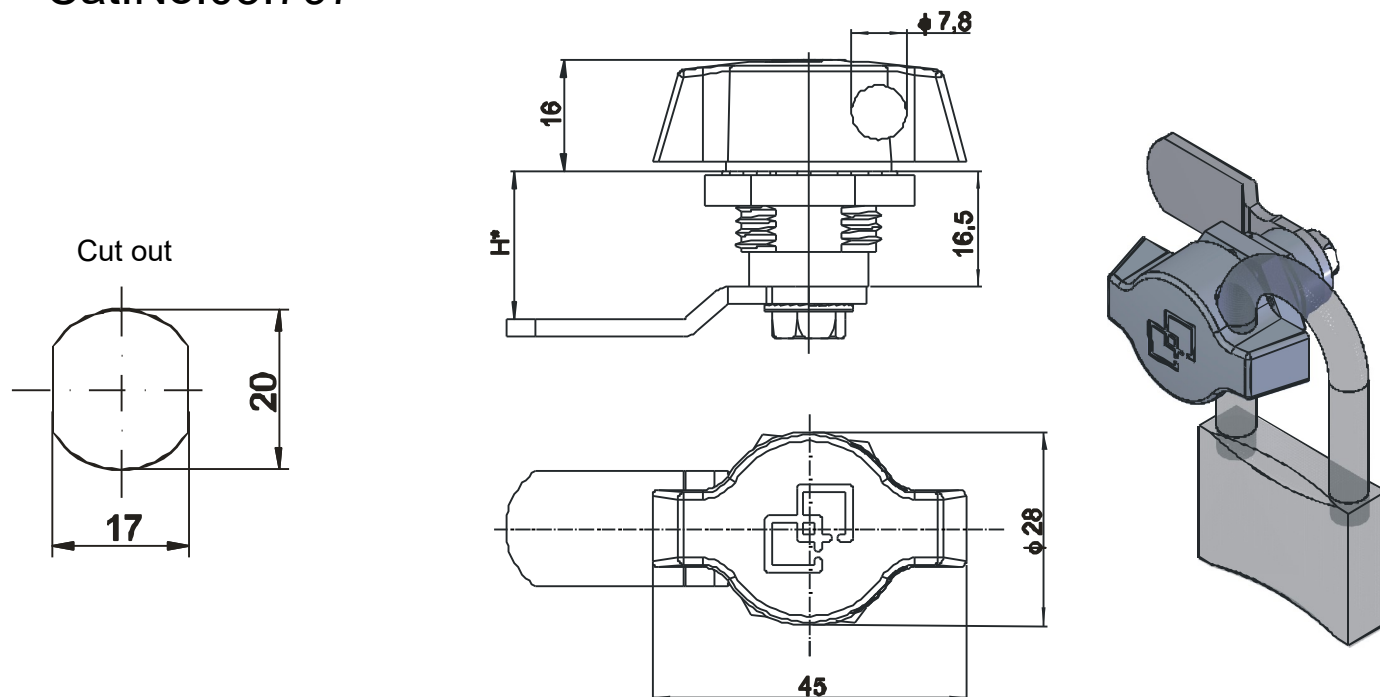


Cat.No.03.797

 $H^* = 18, 21, 24, 29$ 

\* it is possible to agree another dimension

**Material** : Lock - alloy ZnAl, Surface finish Cr  
Cam - ocel, zinc plated

Order example : Lock H = 29

Lock 03.797 - 29