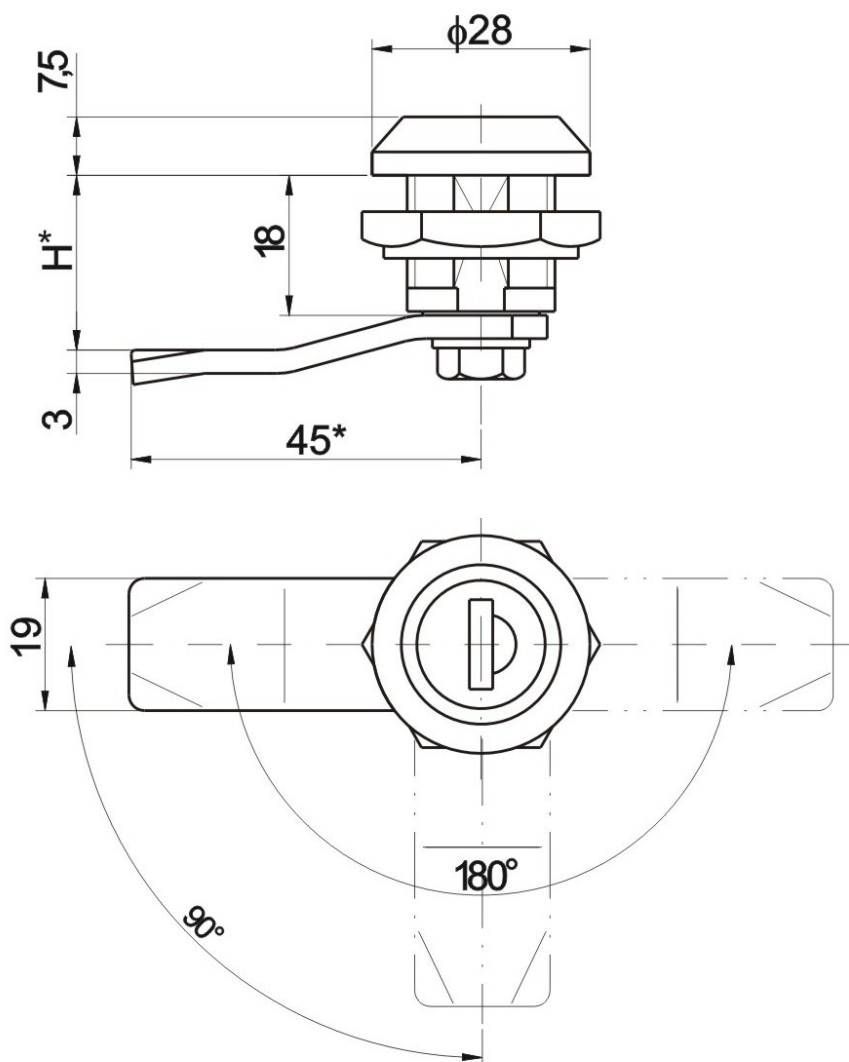
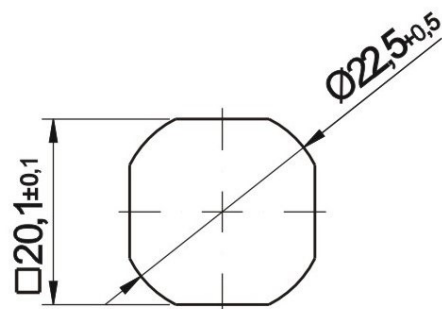


Z9-1, Cat.No. 03.611



Cut out



H			
18	21	24	29

Material :

Body: alloy ZnAl, colour - RAL 9005/black, 7035/gray, zinc plated, chromium plated

Insert : No. Of key 1333,405E, 455E, 1242E, 2342E, different key

Cam : steel (zinc plated)

The movement of the cam : 90°, 180°

Order example of zlock Z9-1, No. Of key 1333 with dimension H = 21, the movement of cam 90°, RAL9005, different key for each lock

Lock Z9-1 03.611/21/90/9005 different key

* it is possible to negotiate change of this dimension