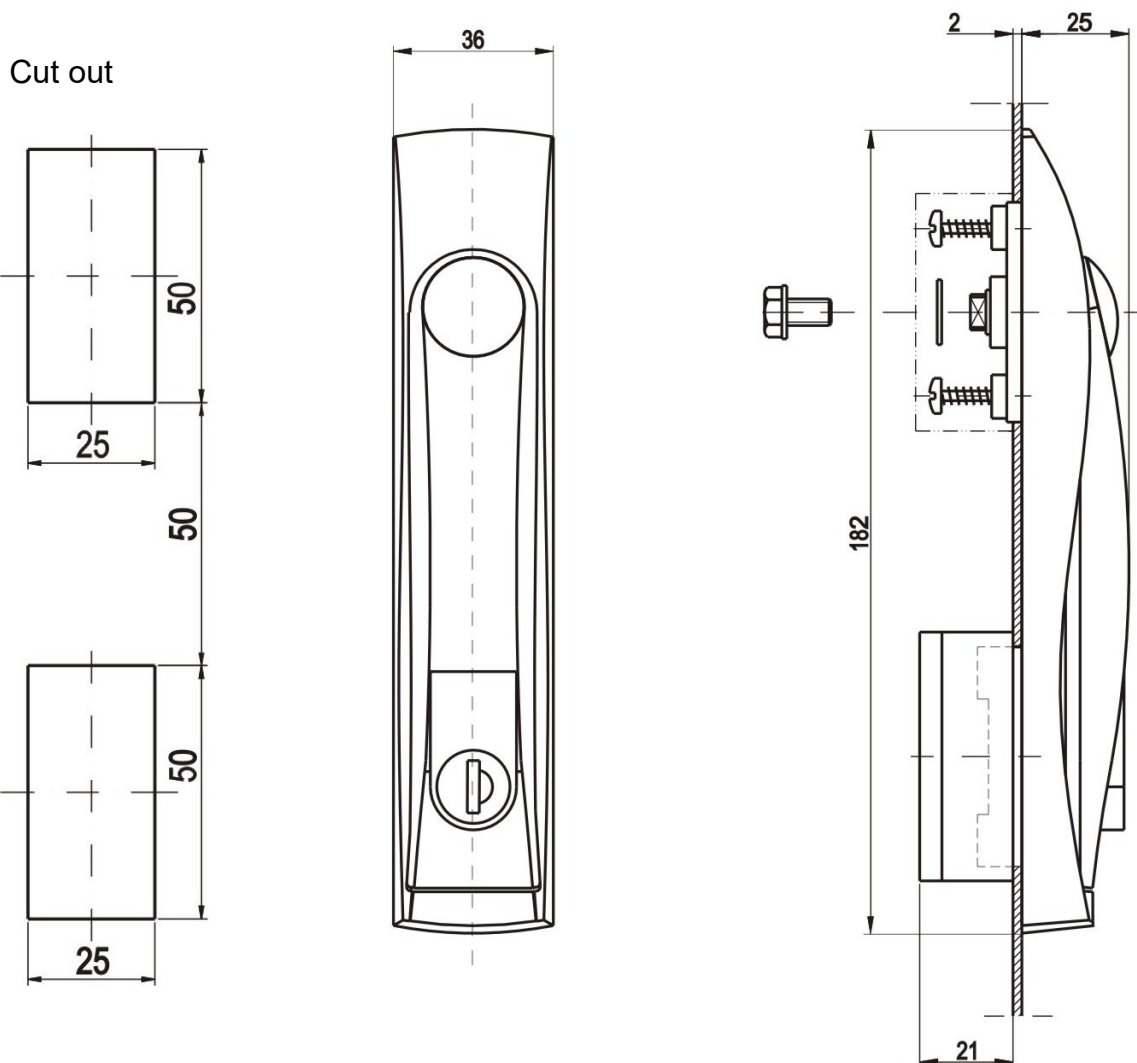


Cat.No.



Material : PA, RAL 9005/black

Order example : **lock SRU19 - 03.078**

