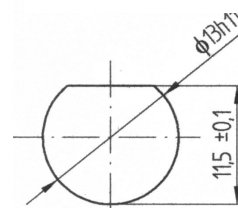
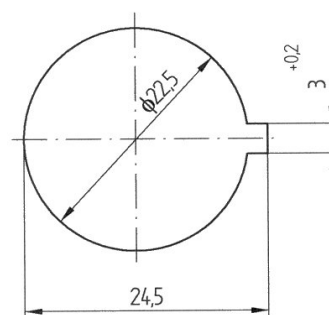


Shape of key



Cut out



Cat.No.	Cam Cat.No.	H	L
01.085	01.060	24	49
01.086	01.061	24	35
01.087	01.062	30	34
01.088	01.063	17	48

Drawings of cams - page 3-16

**Material :**

Body : alloy ZnAl, zinc plated

Insert : steel, zinc plated

Cam : steel, zinc plated

**Order example** of lock AL1 with cam 01.060 :

**Lock AL1 01.085**