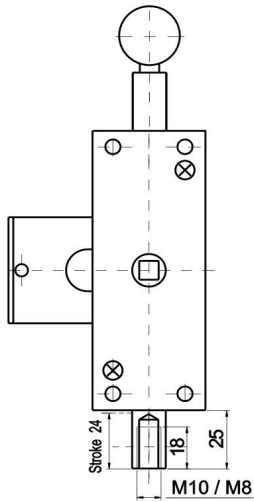
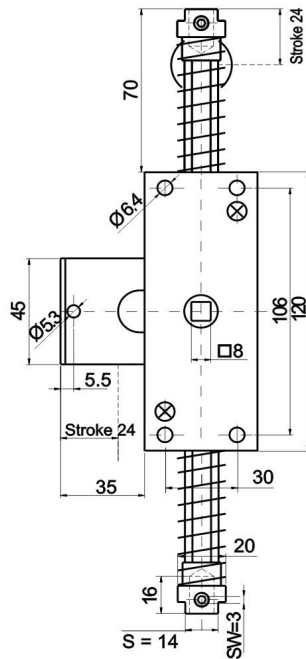


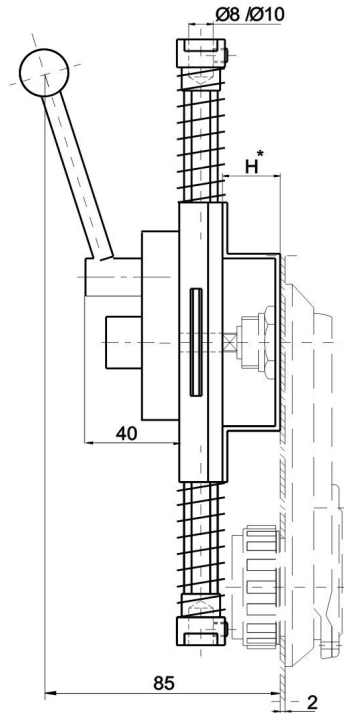
Cat.No. 03.979
(version with M8 thread)



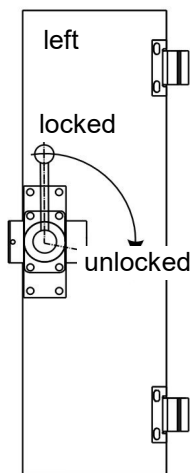
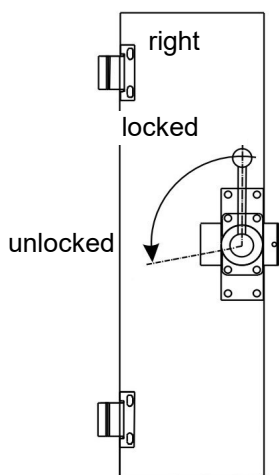
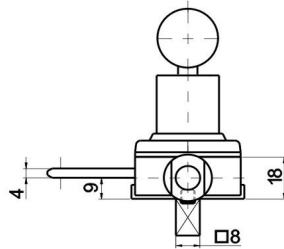
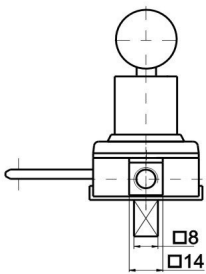
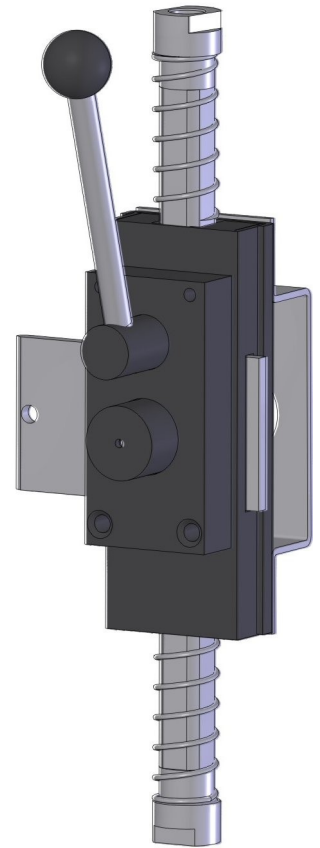
Cat.No. 03.980
(version with M10 thread)



Cat.No. 03.981
(version with hole Ø 8)



Cat.No. 03.982
(version with hole Ø 10)



If you order the lock you have to specify dimension H and version - left or right.

Order example of lock with H=20, with thread M8, right: **Lock Z16-2 / 03.979/20/ right**