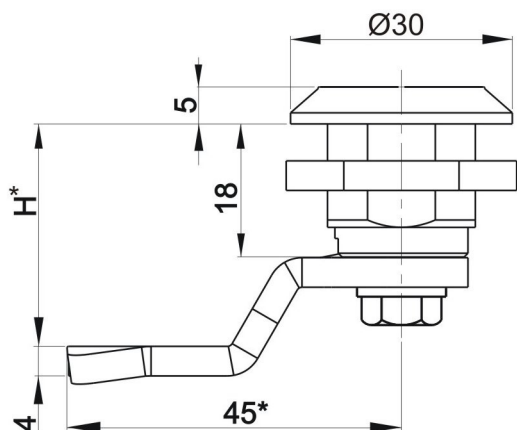
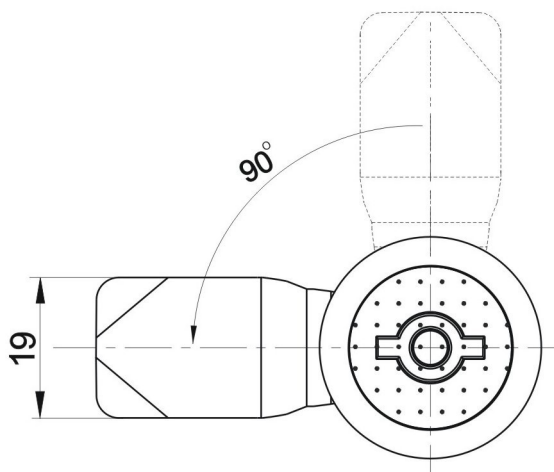
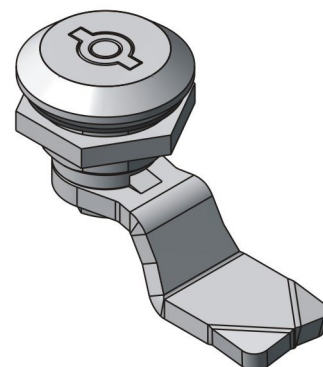
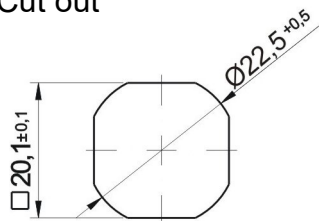


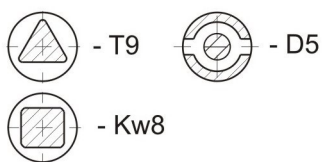
Cat.No.



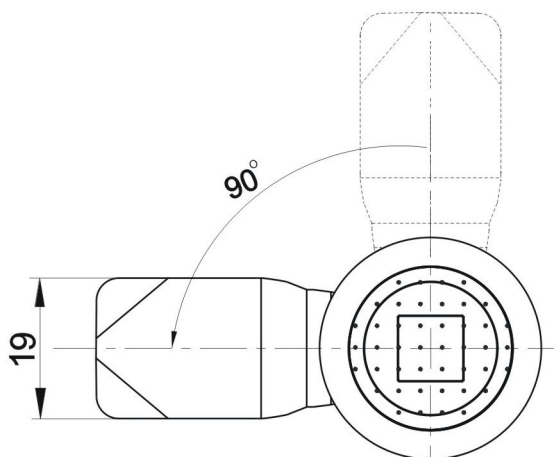
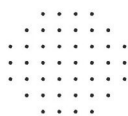
Cut out



Shape of key:



Means closed surface



**Material:** stainless steel

H = 18, 21, 24, 28

Order example of lock H=18, shape of key D5: **Lockk Z19 - 03.451/17/ D5**