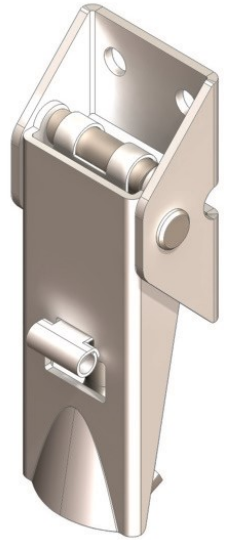
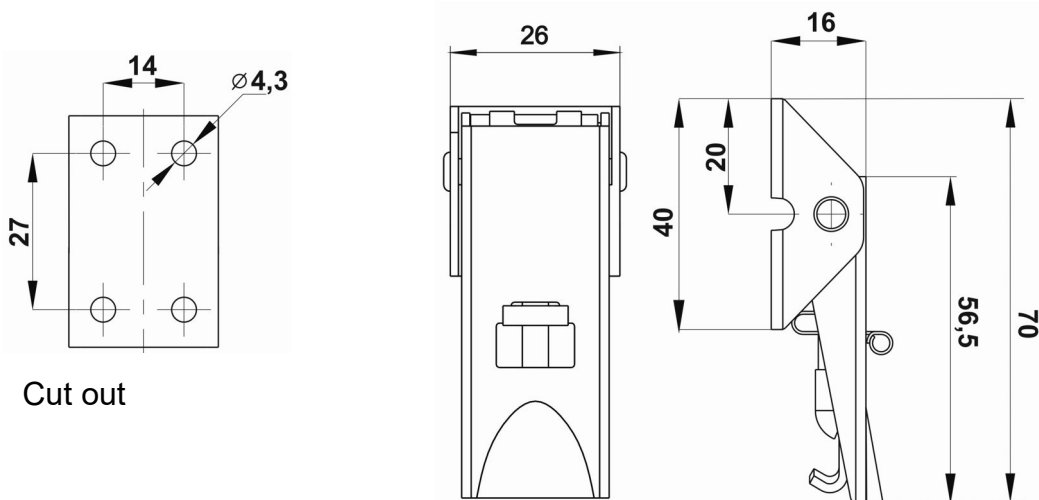
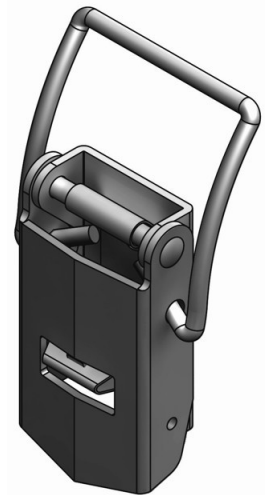
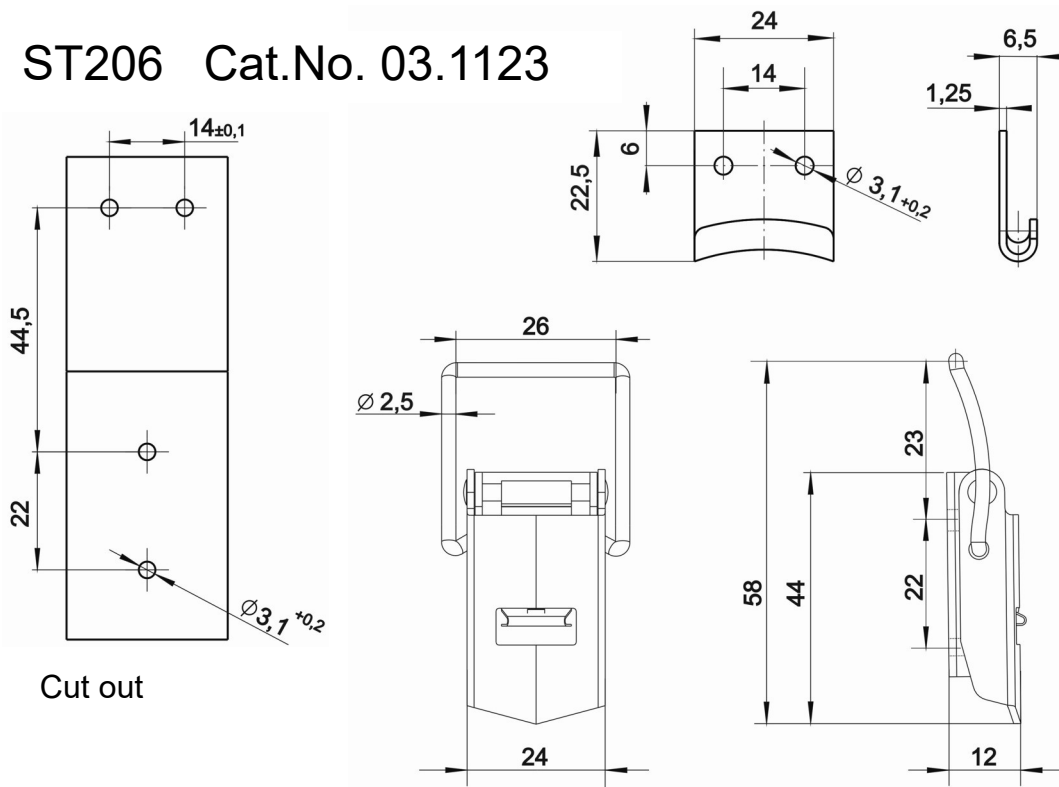


ST205 Cat.No. 03.1122



ST206 Cat.No. 03.1123



Material : steel –surface finish - zinc plated, stainless steel

Order example of Latch ST205: **Latch ST205 - 03.1122 /stainless steel**