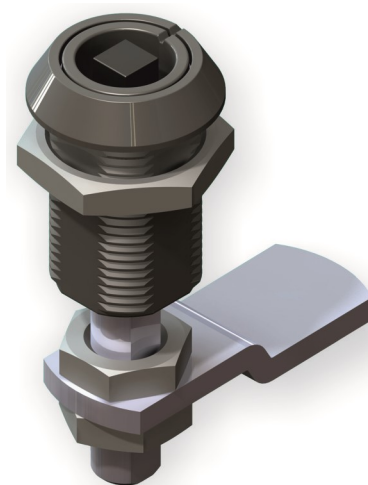
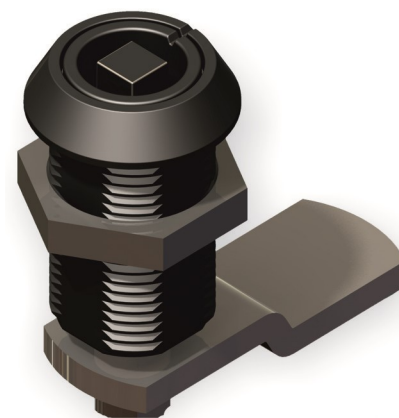
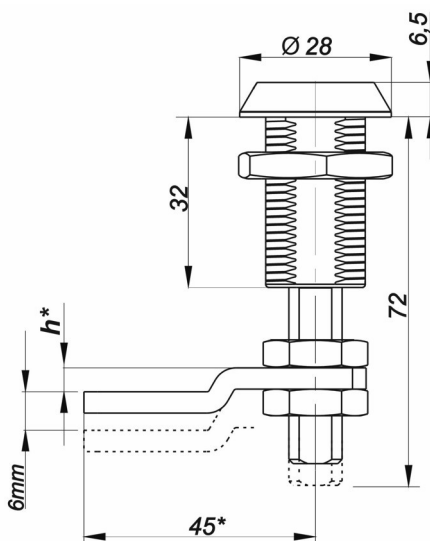
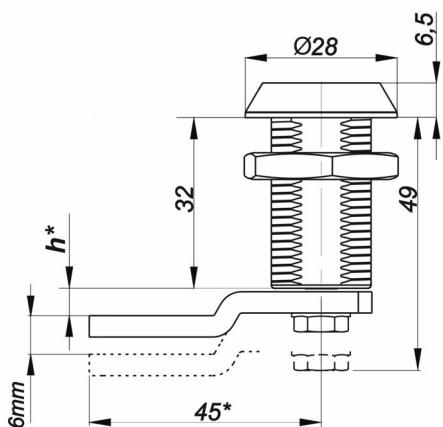
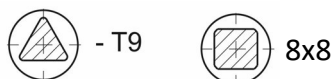


Type A

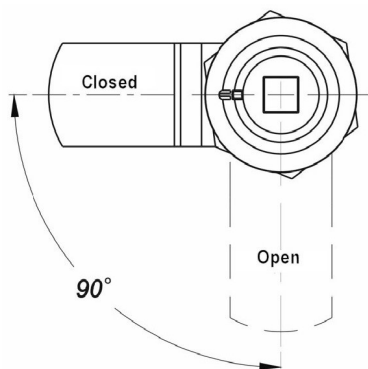
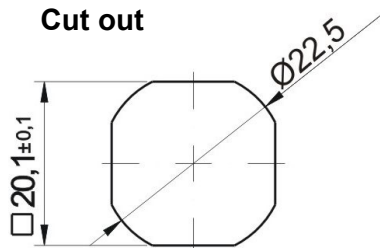
Type B



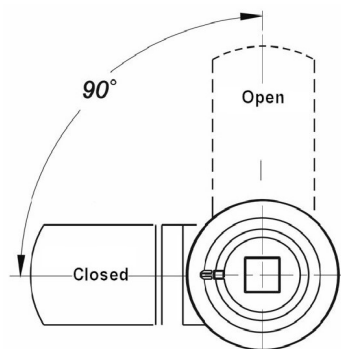
The shape of the keys



Cut out



Left



Right

	Cat. No.	
	Left	Right
Type A	03.1074	03.1075
Type B	03.1076	03.1077

Dimension h (cam) :
h = 0, 3, 6, 9, -3, -6, -9

Material :

Body - alloy ZnAl - chrome plating,
RAL9005
Insert - steel - Zinc plated

* the possibility of dimension changes

Order example left version of type A with the key T9, h=6mm, chrome plating:
Lock Z49 03.1074 / T9 / h=6 / Cr