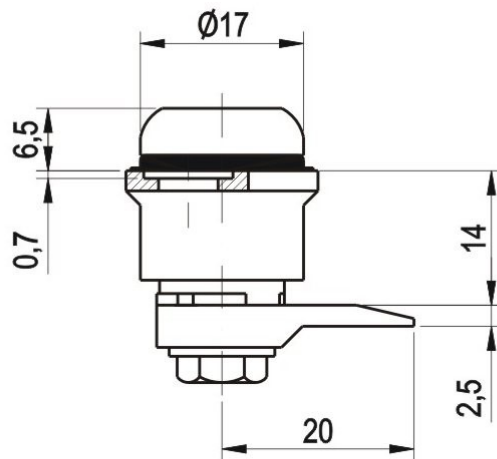
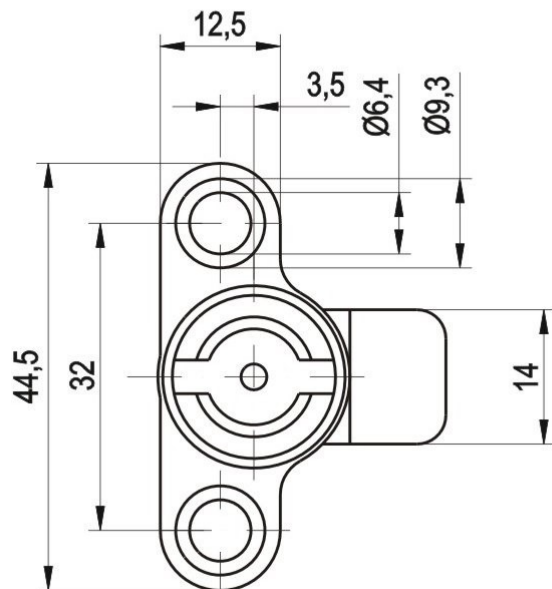
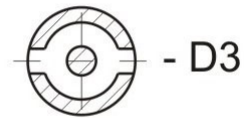


Cat.No. 03.246



Shape of key



Material :
alloy ZnAl, nickel plating

Order example :

Lock Z13 - 03.246