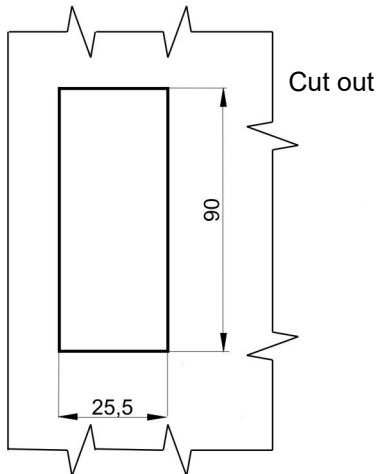
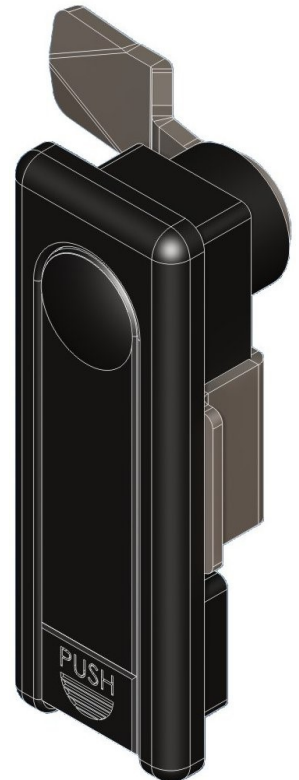
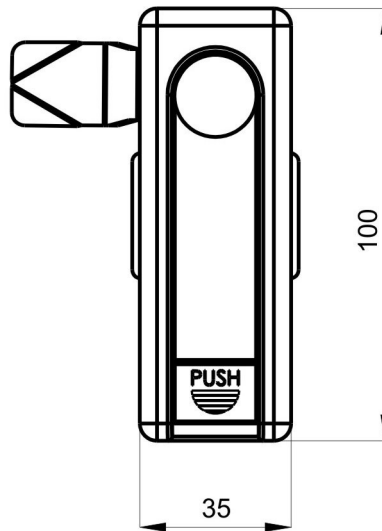
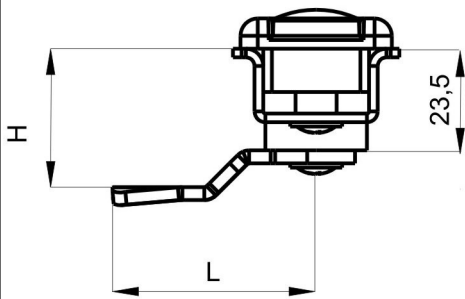


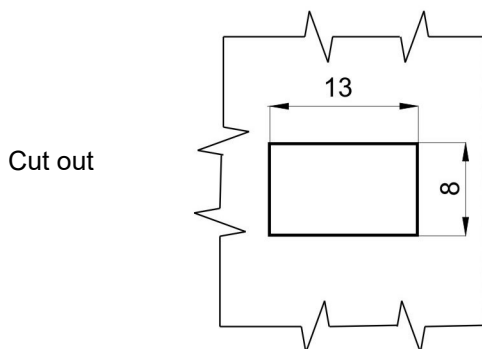
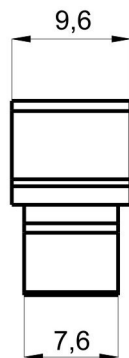
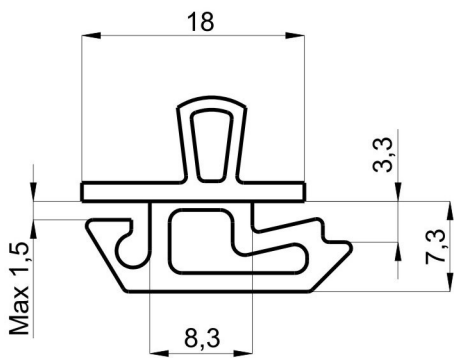
Lock SRU30 Cat.No. 03.994



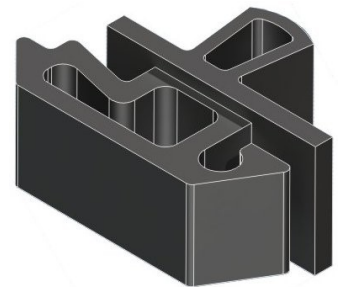
Material:
body, handle - Polyamid PA6
cam - steel, zinc plated

Order example of lock **SRU30**:
Lock SRU30 03.994

Lock Z32 Cat.No. 03.995



Material: Polyamid PA6



Order example of lock **Z32**:
Lock Z32 03.995