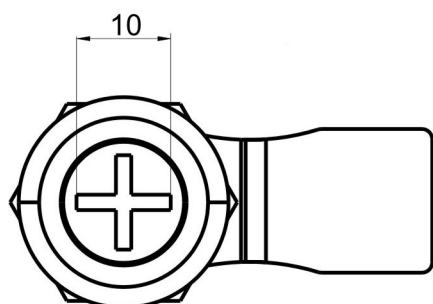
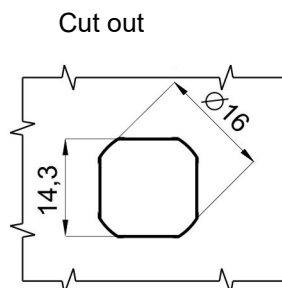
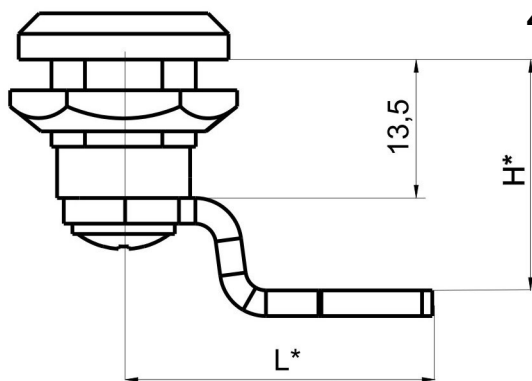
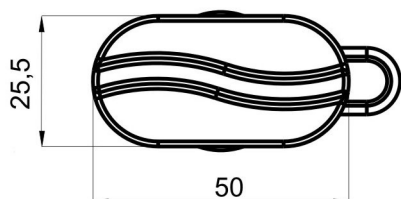
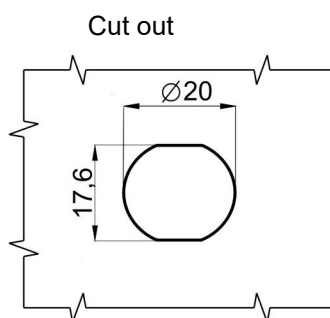
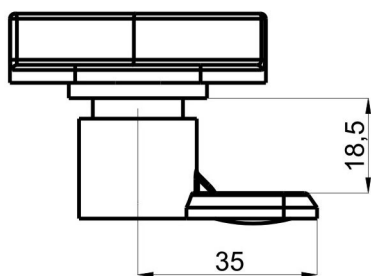


Z29 Cat.No. 03.991



Material:
body - alloy ZnAl, chrome plating, RAL 9005
cam - steel- zinc plated (Fe), polyamid (PA)
insert - alloy ZnAl, chrome plating, RAL 9005

Z30 Cat.No. 03.992



Material: polyamid

Symbol * indicates the possibility of dimension changes

Order example of lock **Z29**:

Lock Z29 03.991/ body-surface finish/ H / material of cam

Lock Z29 03.991/ Cr / 18 / Fe