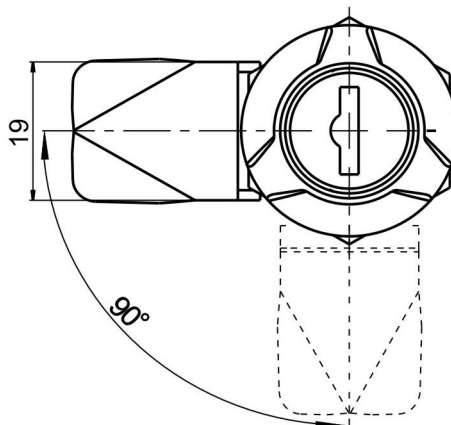
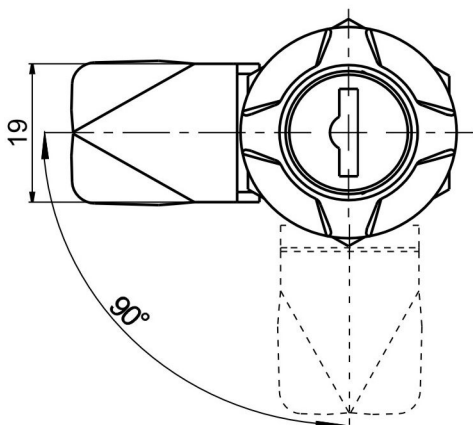


Z28EW Cat.No. 03.989

Z28FW Cat.No. 03.990



Material:
body - polyamid, RAL7035, 9005
- alloy ZnAl
cam - steel - zinc plated, polyamid

Detail	Colour		
	7035	9005	chrome
Body polyamid	1	2	
Body ZnAl	3	4	5

Key code: 1333, 405E, 455E, 1242E, 2342E, různý kód

Symbol * indicates the possibility of dimension changes

Material of cam : ocel - Fe , plastic - PA

H = 18, 21, 24, 29



Order example of lock **Z28EW**:

Lock Z26 03.987/ material of body + surface finish/ key code/ H / material of cam

Lock Z26 03.987/ 3 / 1333 / 18 / Fe