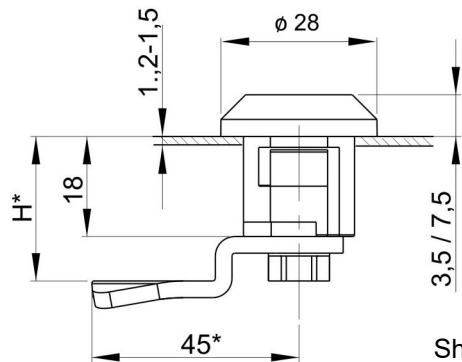
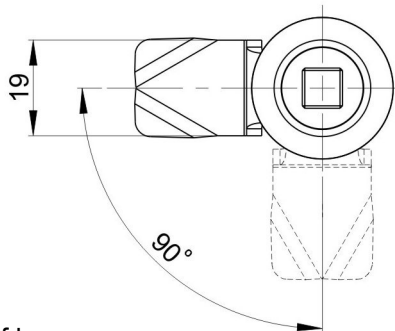


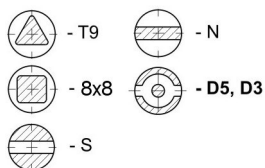
Z26 Cat.No. 03.987



H = 18, 21, 24, 29

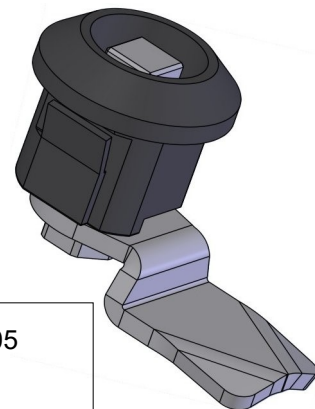


Shape of key



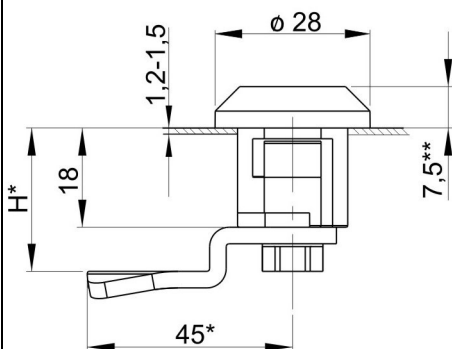
Material:
body - polyamid , RAL7035, 9005
insert - alloy ZnAl, polyamid
cam - steel- galv. Zn, polyamid

Mat. of cam : steel - Fe , plastic - PA



Cut out

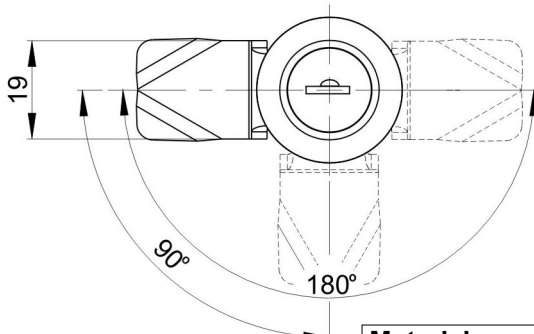
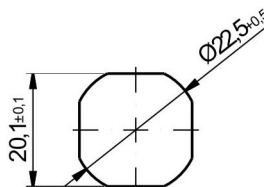
Z27 Cat.No. 03.988



Key code: 1333, 405E, 455E, 1242E, 2342E, different code

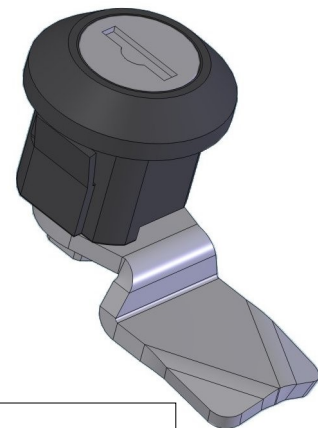
H = 18, 21, 24, 29

** - Lock Z27 Height of head only 7,5 mm



Material:
body - polyamid , RAL 7035, 9005
cam - steel - galv. Zn, polyamid

Mat. of cam : steel - Fe , plastic - PA

Order example of lock **Z26**:

Lock Z26 03.987/ height of lock head / shape of key/ H /material of cam/colour of body

Lock Z26 03.987 / 3,5 / T9 /18 / Fe/9005Order example of lock **Z27**:

Lock Z26 03.987/ height of lock head / code of key/ H /material of cam/ colour of body

Lock Z26 03.987/ 7,5 / 1333 / 18 / Fe/9005