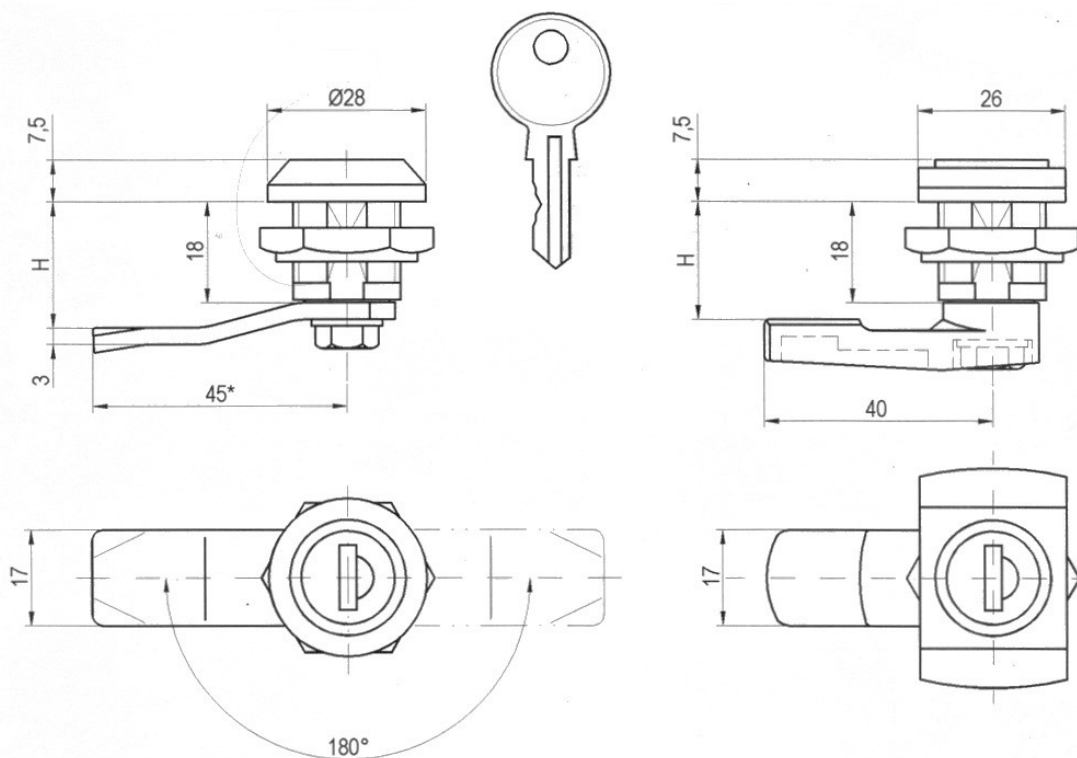
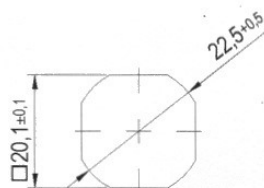


Z9, Cat.No. 03.210

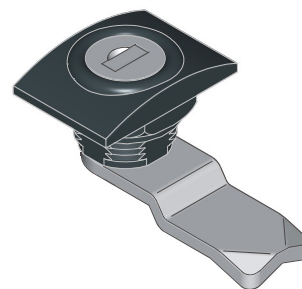
Z10, Cat.No. 03.211



H			
18	21	24	29



Cut out



Material :

Body: PA, color - RAL 9005/black, 7035/gray

Insert : No. of key 1333

Cam : steel (zinc plated), polyamid PA6

Designation of material :

Steel Fe

PolyamidPA6

Order example of lock Z9, key No. 1333 with dimension H = 21(cam - steel)

Lock Z9/ 03.210/21-Fe