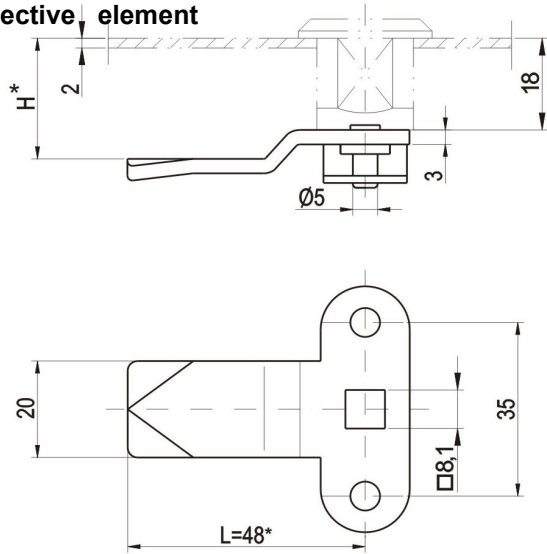
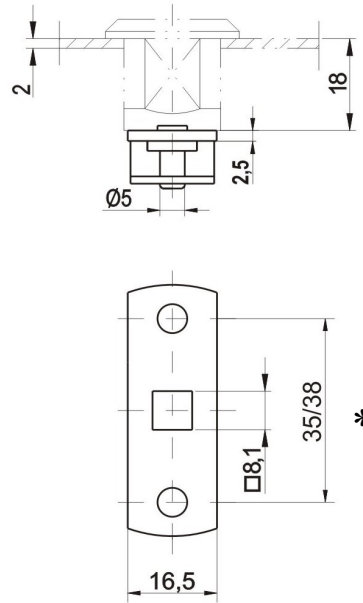


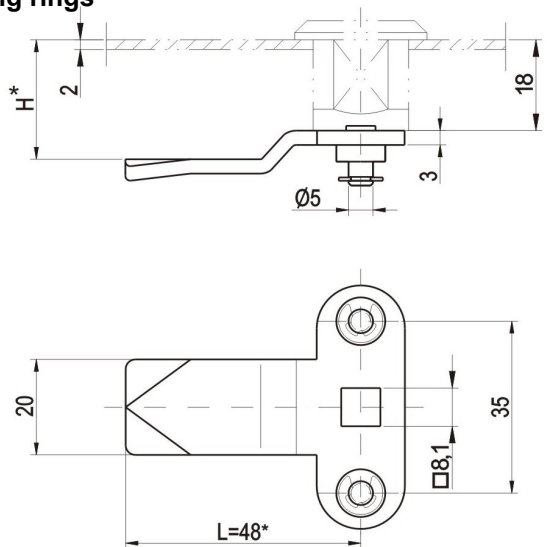
3 point cam without limiter  
With protective element



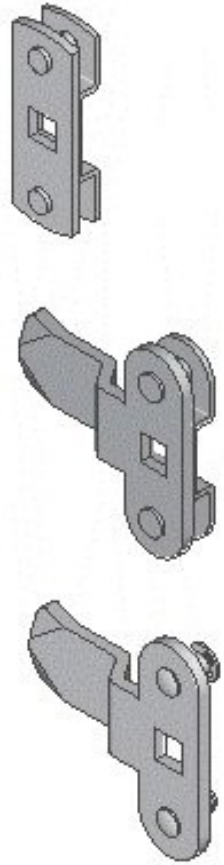
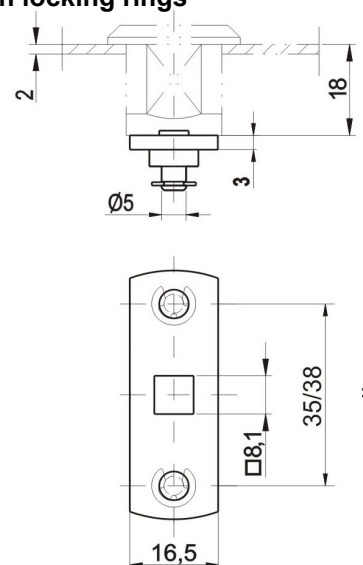
2 point cam without limiter  
With protective element



3 point cam without limiter  
with locking rings



2point cam without limiter  
with locking rings



Title	Material	Dimension H	Cat.No.
3 point cam without limiter With protective element	Steel, galvanized ( Zn )	18	03.356
		21	03.357
		24	03.358
		29	03.359
3 point cam without limiter with locking rings	Steel, galvanized ( Zn )	18	03.060
		21	03.061
		24	03.062
		29	03.063
2 point cam without limiter, with protective element	Steel, galvanized ( Zn )	18	03.361
2 point cam without limiter, with locking rings	Steel, galvanized ( Zn )	18	03.362

Order example : **Cam 03.356**

\* If you order 2point cam with spacing of holes 35mm Please indicate this in your order: