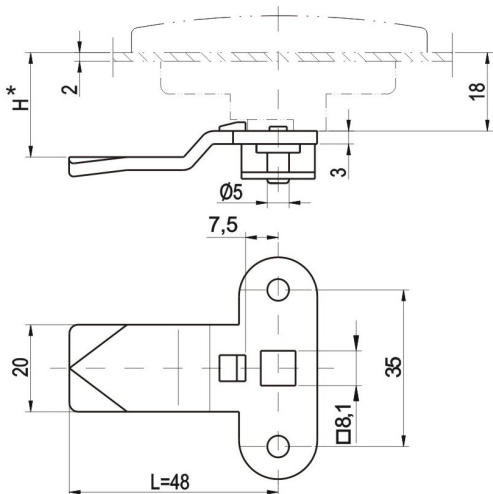
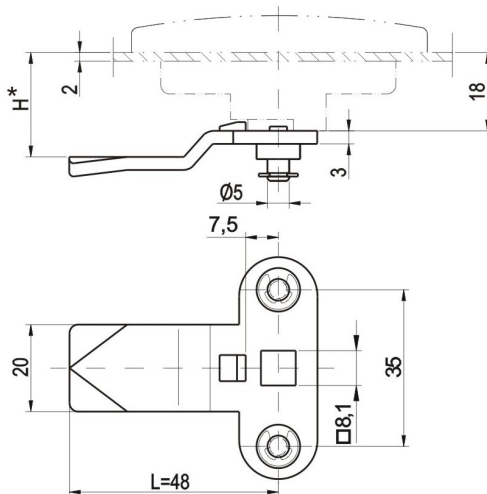


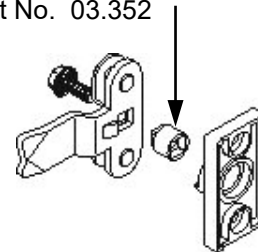
**3point cam with limiter,  
With protective element - assembly with cap**



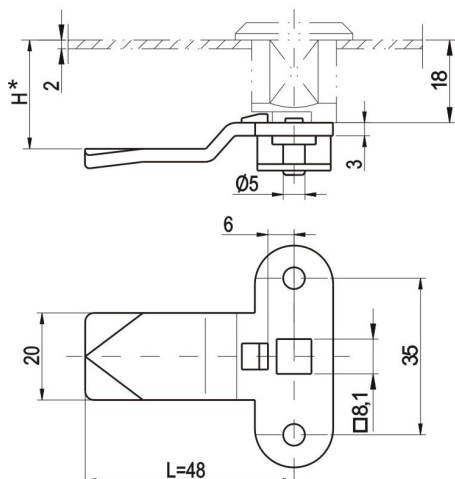
**3point cam with limiter,  
With locking rings - assembly with cap**



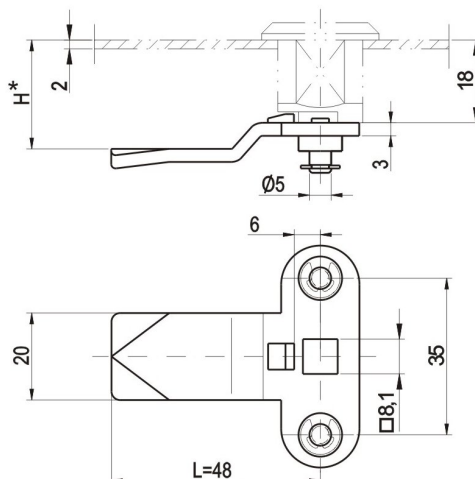
It is necessary to order bushing  
Cat No. 03.352



**3point cam with limiter,  
With protective element .**



**3point cam with limiter,  
With locking rings .**



Order example :  
**Cam 03.053**

Type	Material	Dimension H	Cat.No.
3point cam with limiter,with protective element , assembly with cap.	Steel, zinc plated	18	03.366
		21	03.367
		24	03.368
		29	03.369
3point cam with limiter, With protective element .	Steel, zinc plated	18	03.384
		21	03.385
		24	03.386
		29	03.387
3point cam with limiter, with locking rings - assembly with cap.	Steel, zinc plated	18	03.374
		21	03.375
		24	03.376
		29	03.377
3point cam with limiter, With locking rings .	Steel zinc plated	18	03.050
		21	03.051
		24	03.052
		29	03.053