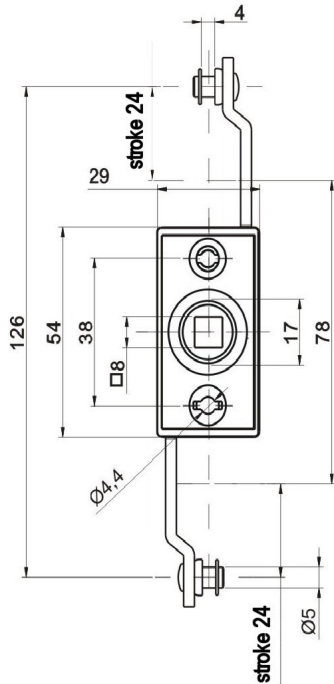
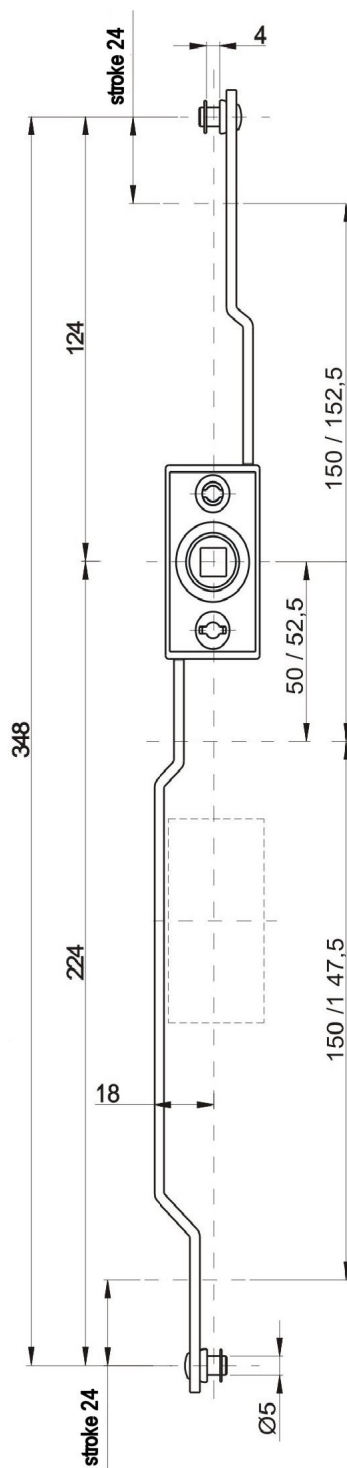


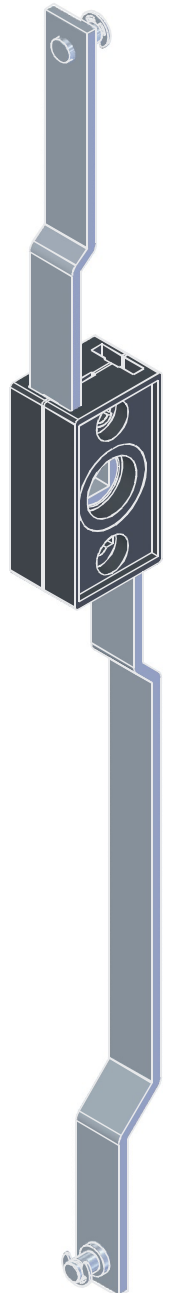
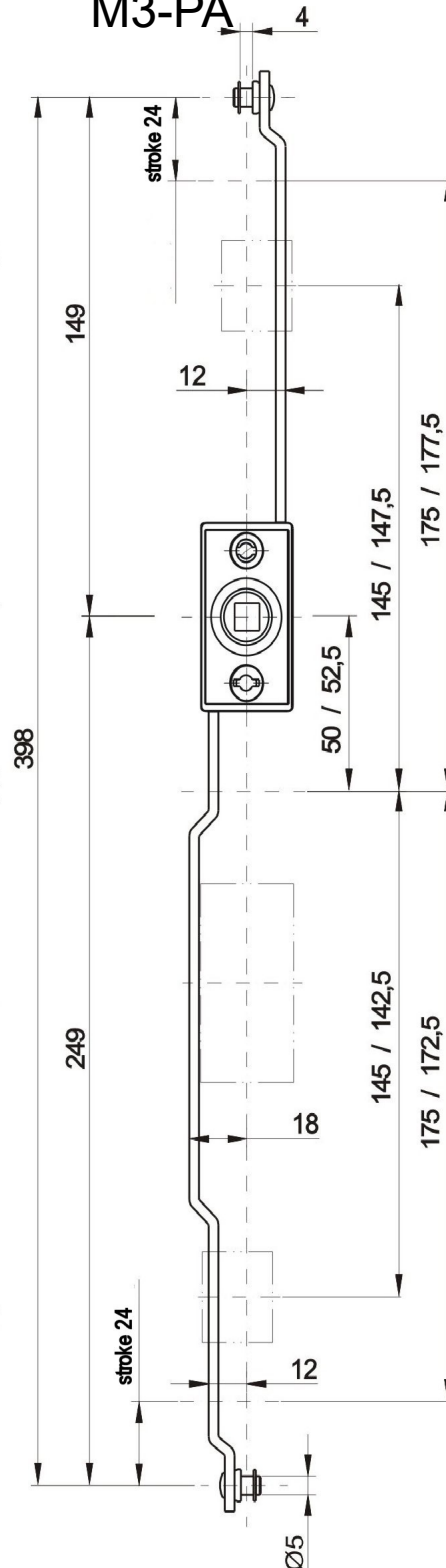
M1-PA



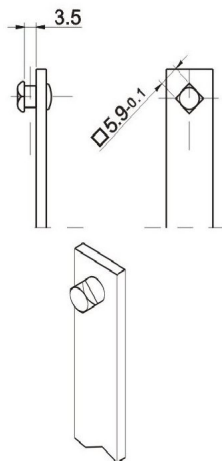
M2-PA



M3-PA



M1,2,3K - PA



typ	Cat.No.	type	Cat.No.
M1 - PA	03.670	M1K - PA	03.673
M2 - PA	03.671	M2K - PA	03.674
M3 - PA	03.672	M3K - PA	03.675

Material :
Body :polyamid
Rods : steel, zinc plated