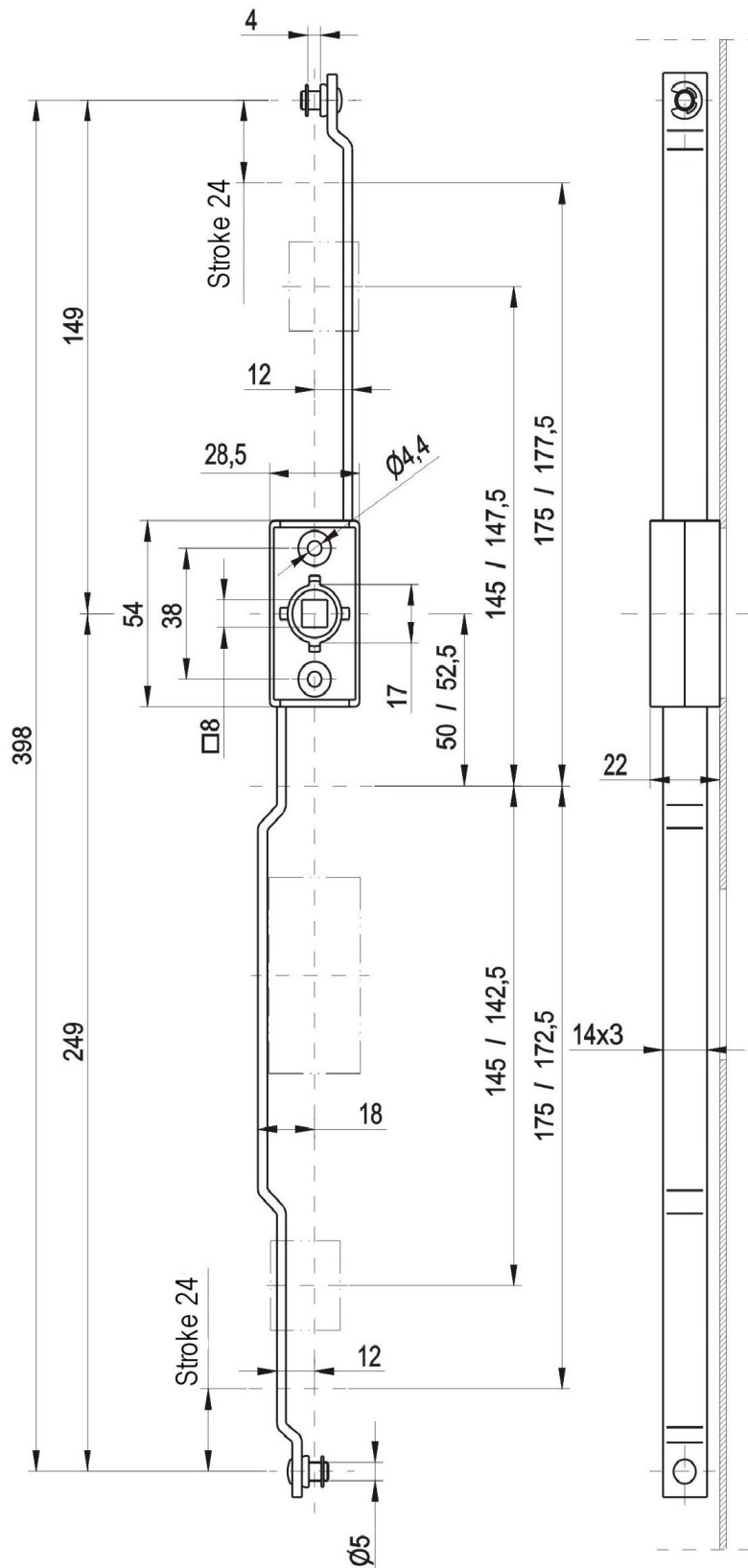
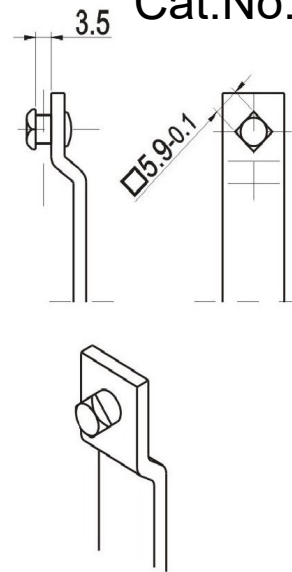


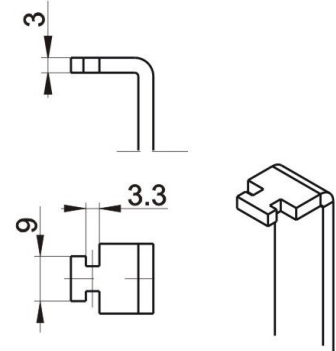
Cat.No. 03.082



Cat.No. 03.394



Cat.No. 03.397

**Material :**

Body : alloy ZnAl

Rods : steel, zinc plated

Order example : **Mechanis M3 03.082**