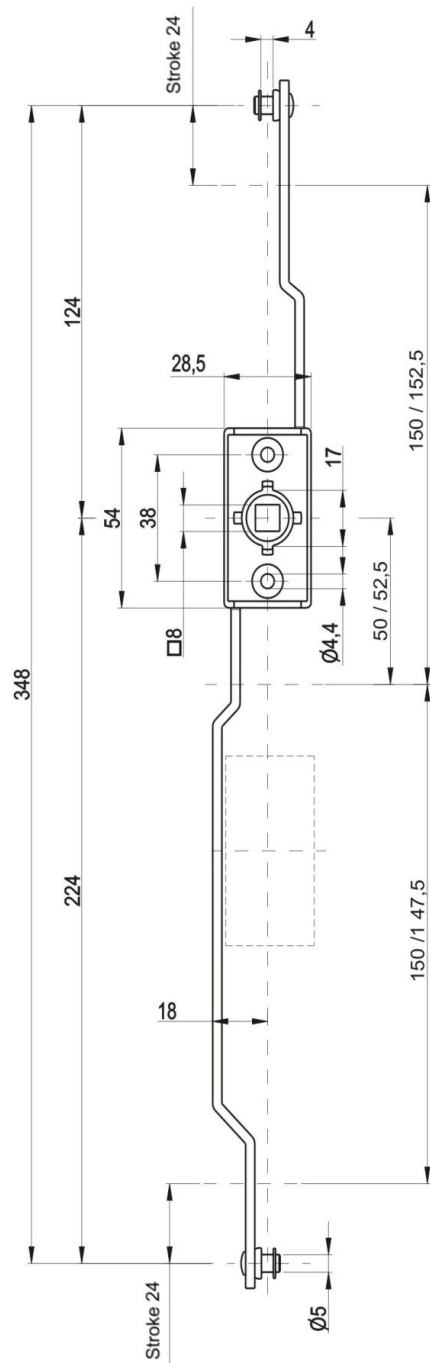
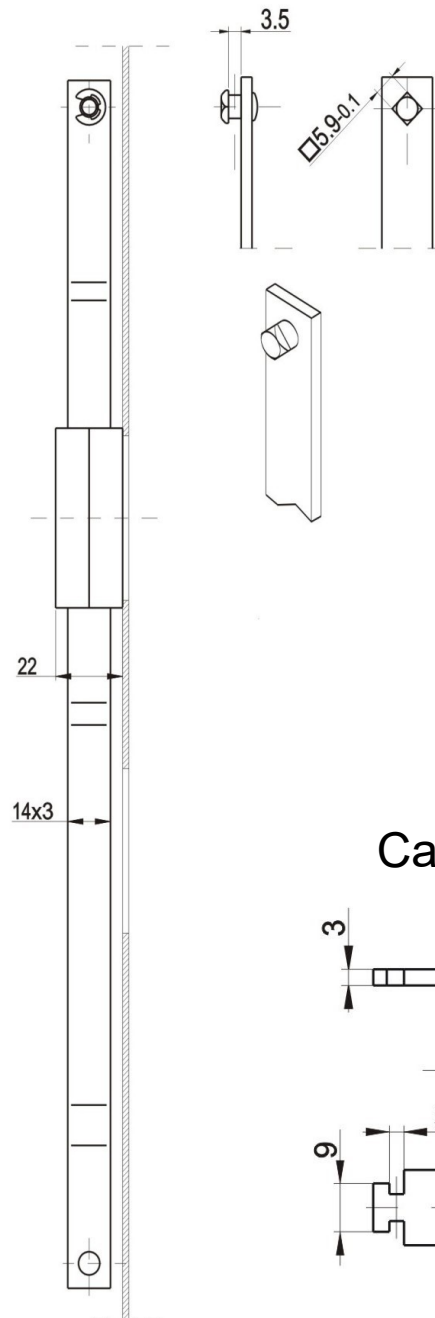


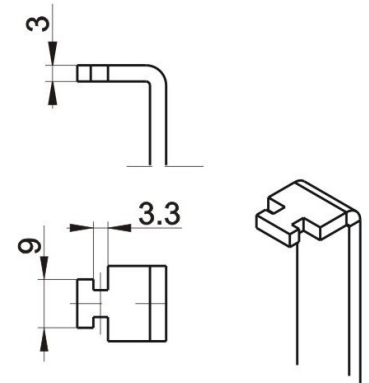
Cat.No. 03.081



Cat.No. 03.393



Cat.No. 03.396

**Material :**

Body : alloy ZnAl

Rods : steel, zinc plated

Order example : **Mechanism M2 03.081**